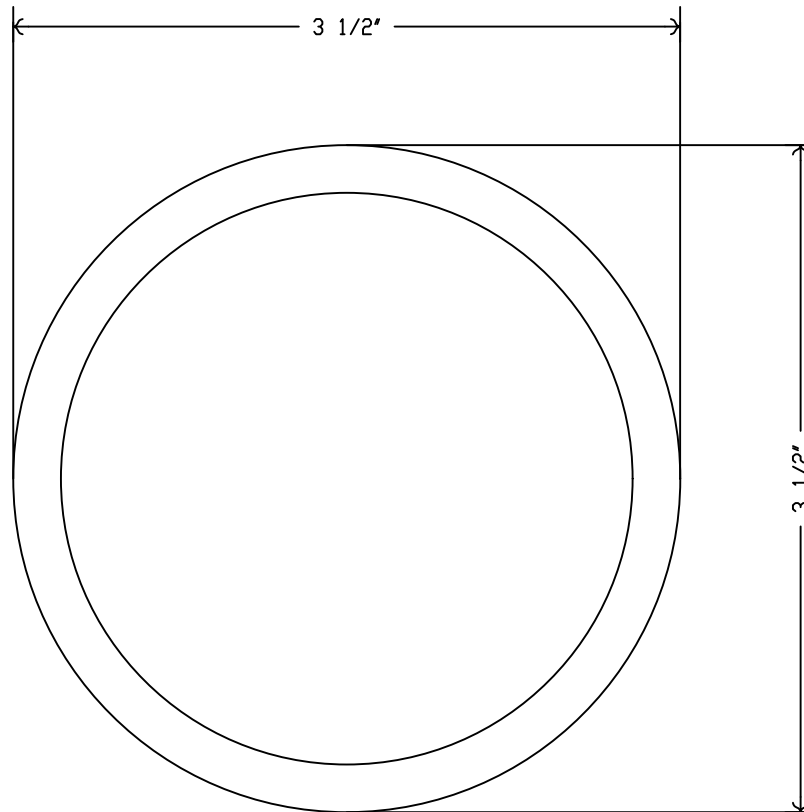




Industrial
Louvers, Inc.



Date: 12/30/2016

Part ID: TUBE1063

Description: 3 1/2" DIA X 1/4 TUBE

Scale: 1:1.0

Thickness: 0.125