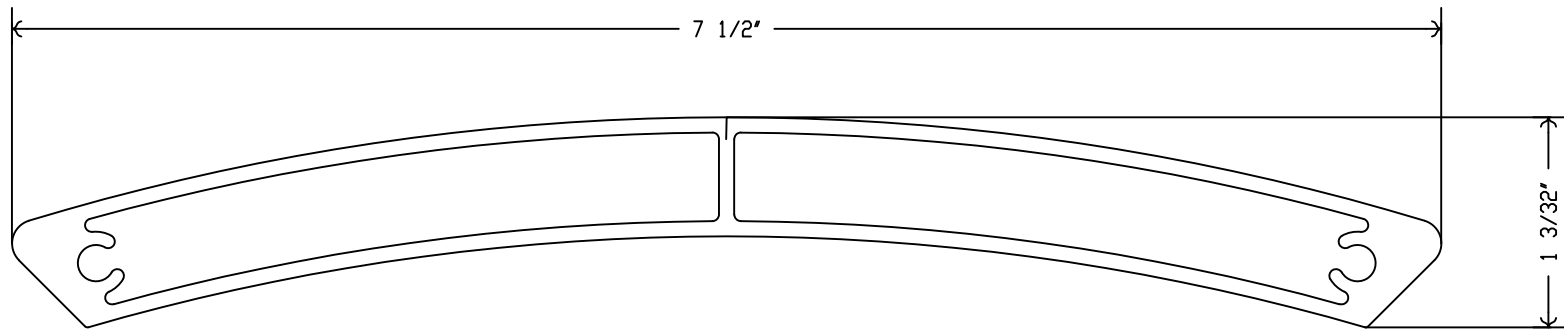




Industrial  
Louvers, Inc.



Date: 12/29/2016

Part ID: BLD2090

Description: BLADE M075 7.5IN CONCAVE 080

Scale: 1:1.0

Thickness: 0.125