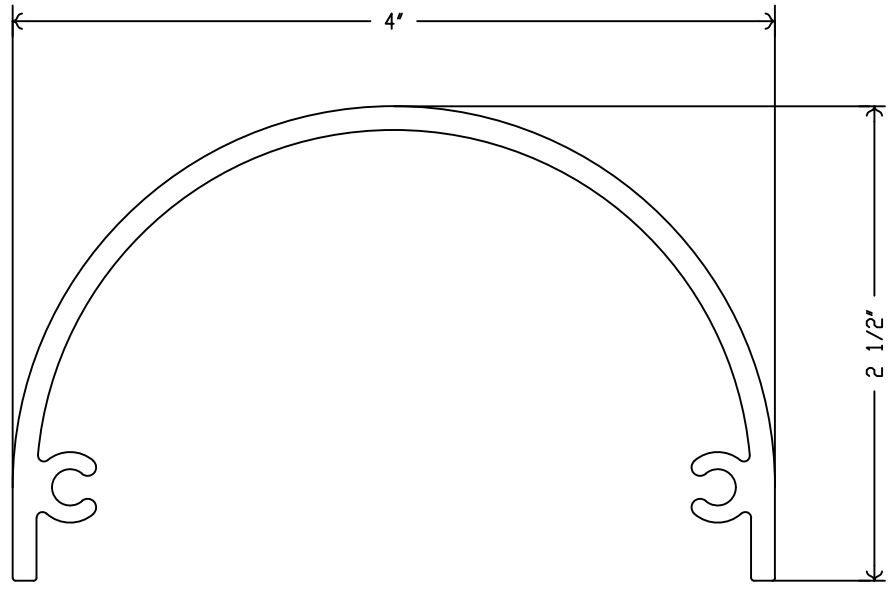




Industrial Louvers, Inc.



Date: 7/7/2016

Part ID: FSA1410

Description: 4" BULLNOSE FASCIA MF

Scale: 1:1.0

Thickness: 0.125