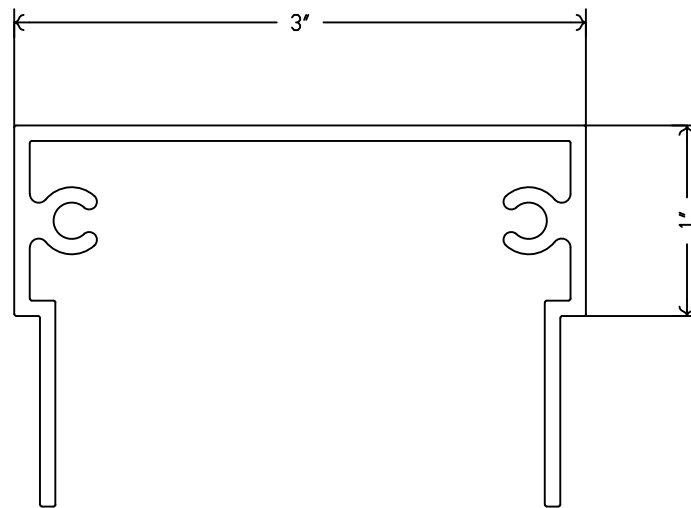




Industrial
Louvers, Inc.



Date: 7/7/2016

Part ID: FSA1310

Description: 3 X 1 MALE FASCIA

Scale: 1:1.0

Thickness: 0.081