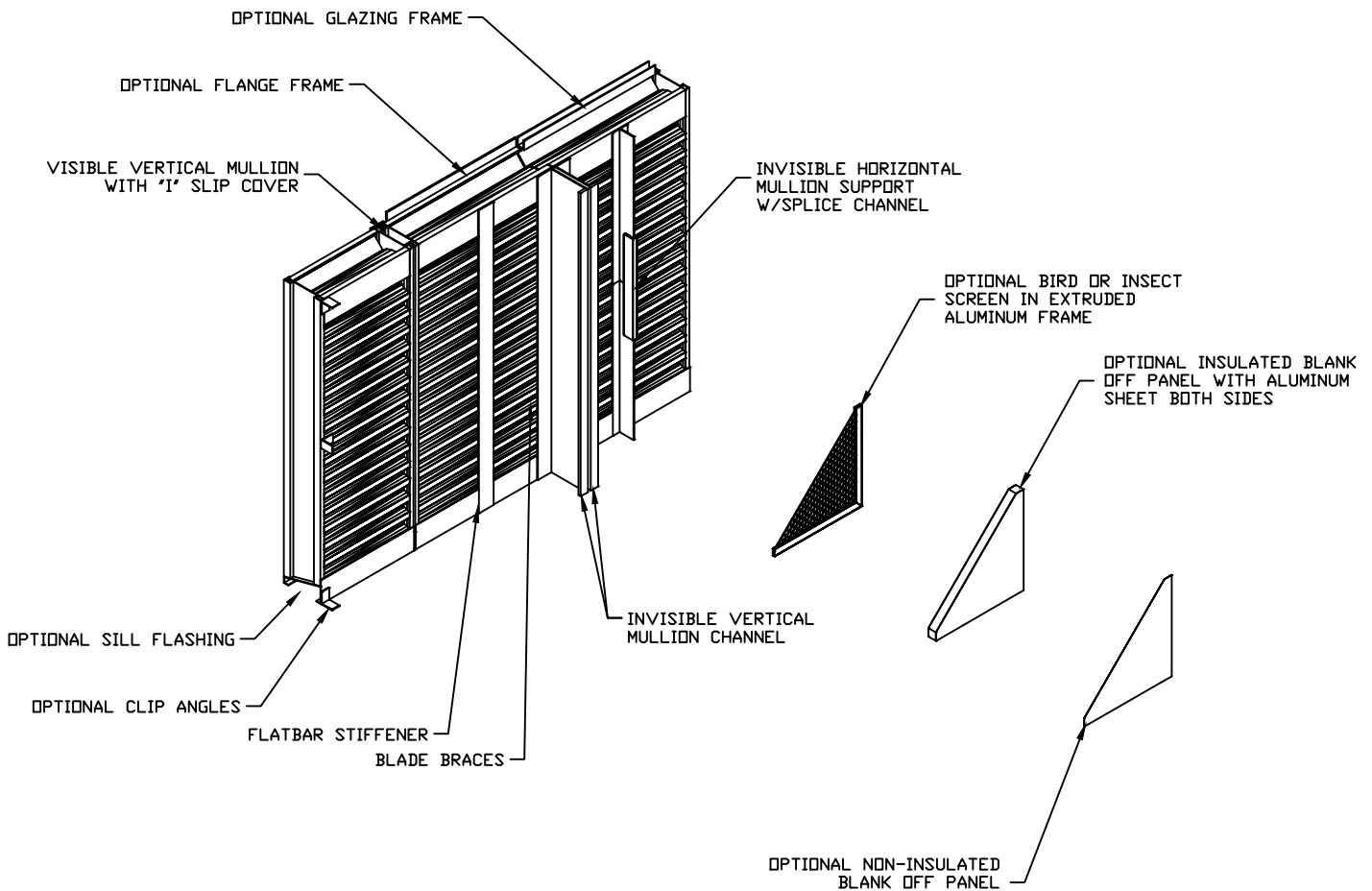




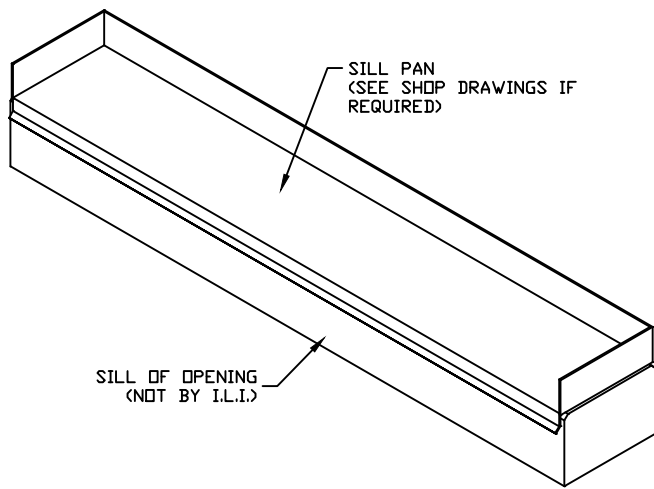
Industrial  
Louvers, Inc.

# INSTALLATION INSTRUCTIONS FOR MODEL SP737



- READ THESE INSTRUCTIONS COMPLETELY BEFORE STARTING INSTALLATION
- USE THESE INSTRUCTIONS IN CONJUNCTION WITH INDUSTRIAL LOUVERS SHOP DRAWINGS

# STEP 1

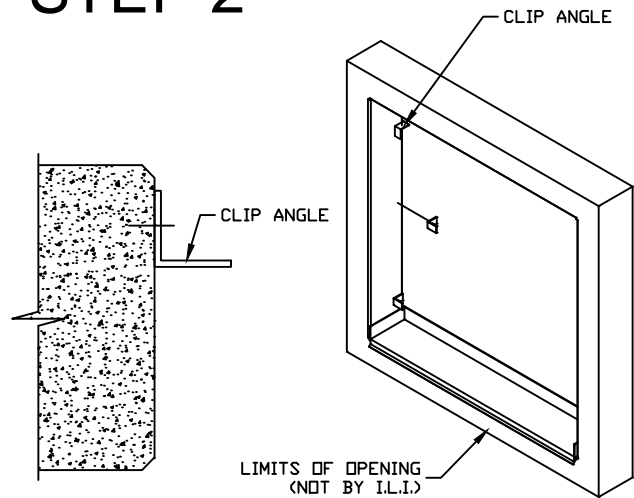


HEAD AND JAMBS ARE NOT SHOWN FOR CLARITY

## INSTALLING SILL FLASHING (IF REQUIRED)

1. LOCATE SILL PAN PER SHOP DRAWINGS.
2. ATTACH: APPLY CAULK (NOT BY I.L.I.) TO SILL OF OPENING SET SILL PAN IN CAULK.

# STEP 2



DETAIL

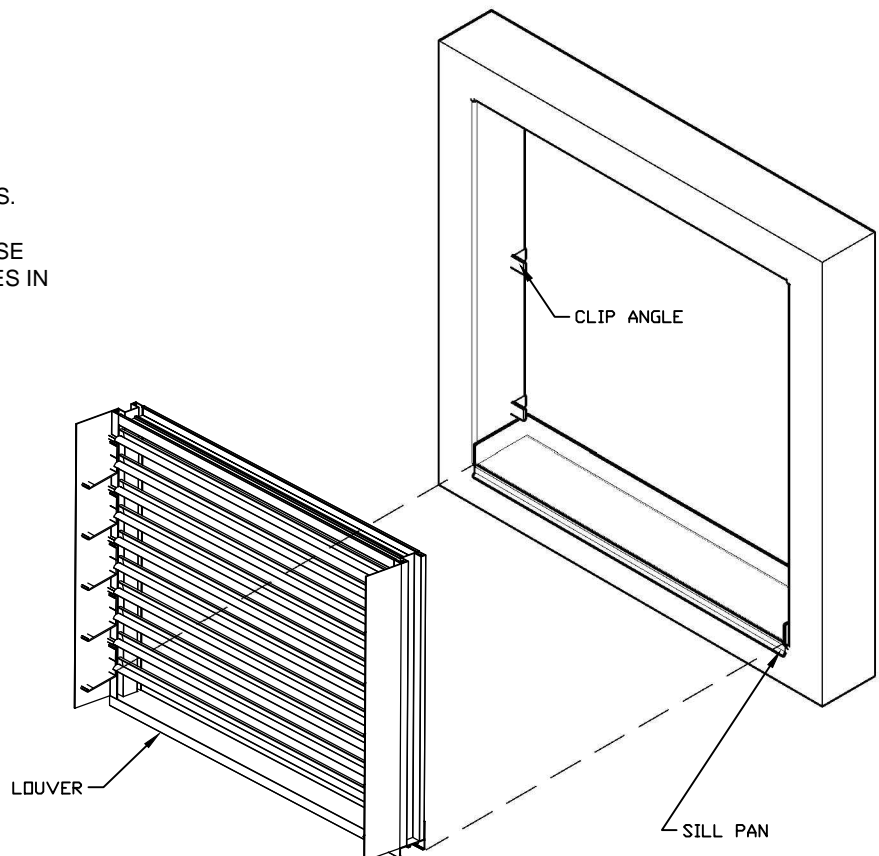
## INSTALLING CLIP ANGLES

1. REFER TO SHOP DRAWINGS FOR SIZE AND DETAILS OF CLIP ANGLES.
2. MEASURE SET BACK PLACEMENT OF CLIP ANGLES , AND DRILL HOLES INTO WALL.
3. ATTACH CLIP ANGLES TO WALL. (ALL ANCHORS TO SURROUNDING CONDITIONS ARE NOT SUPPLIED BY I.L.I.)

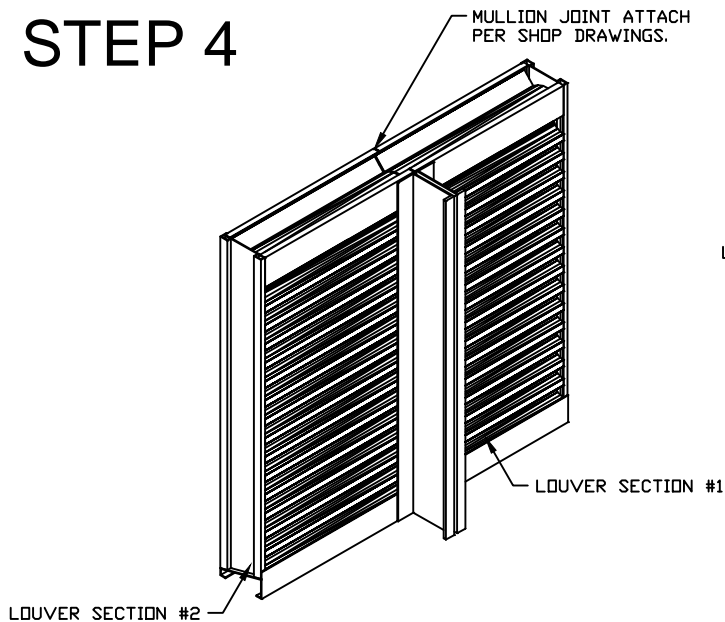
# STEP 3

## INSTALLING LOUVER

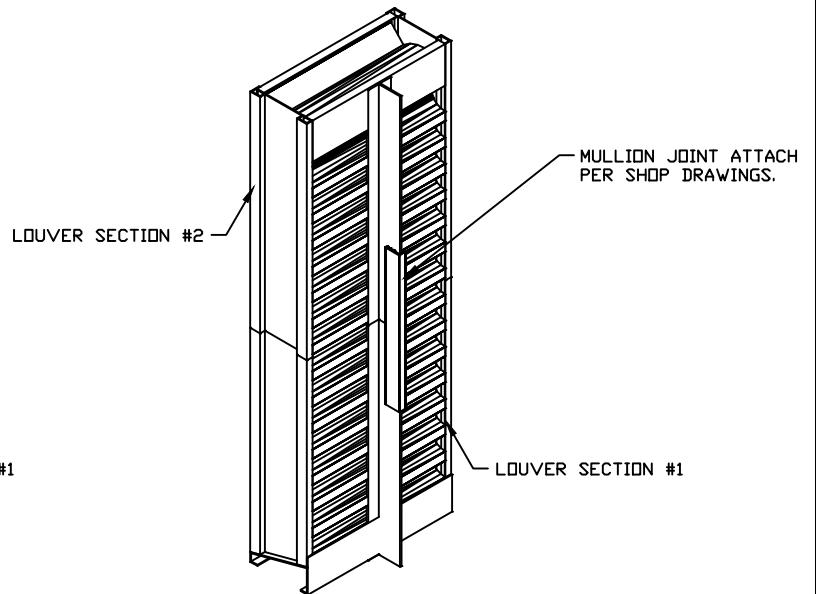
1. PLACE LOUVER SECTION INTO OPENING.
2. SHIM AROUND LOUVER TO CREATE PROPER DISTANCE FROM SURROUNDING CONDITIONS. (SEE SHOP DRAWINGS FOR DETAILS)
3. ONCE PROPER PLACEMENT IS ACHIEVED. USE HOLES IN CLIP ANGLES TO DRILL PILOT HOLES IN JAMB, HEAD AND SILL.
4. FASTEN CLIP ANGLES TO LOUVERS WITH FASTENERS AS PROVIDED BY I.L.I.



# STEP 4



INVISIBLE VERTICAL MULLION



INVISIBLE HORIZONTAL MULLION

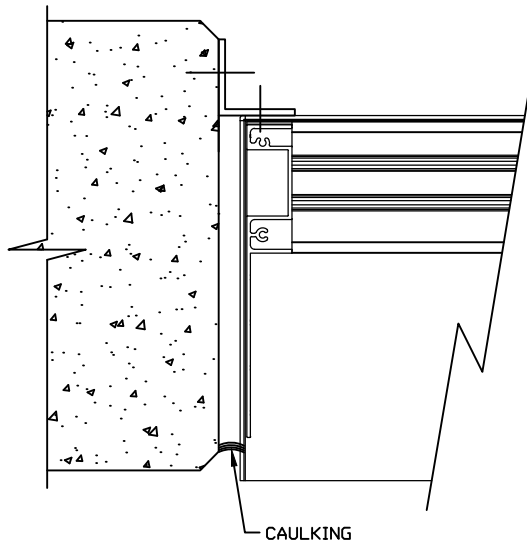
## INSTALLING MULTI-SECTION LOUVERS

1. IF LOUVER IS SINGLE SECTION SKIP TO STEP 5.
2. IF LOUVER IS MULTI-SECTION INSTALL SECTION #1 AS PER STEP 1-3.
3. PUT SECTION #2 IN OPENING FOLLOWING STEPS 1-3. MAKING SURE SECTION # 1 ALIGNS WITH SECTION #2.
4. ATTACH MULLION JOINT PER SHOP DRAWINGS.
5. CONTINUE PROCESS UNTIL ALL SECTIONS ARE INSTALLED.

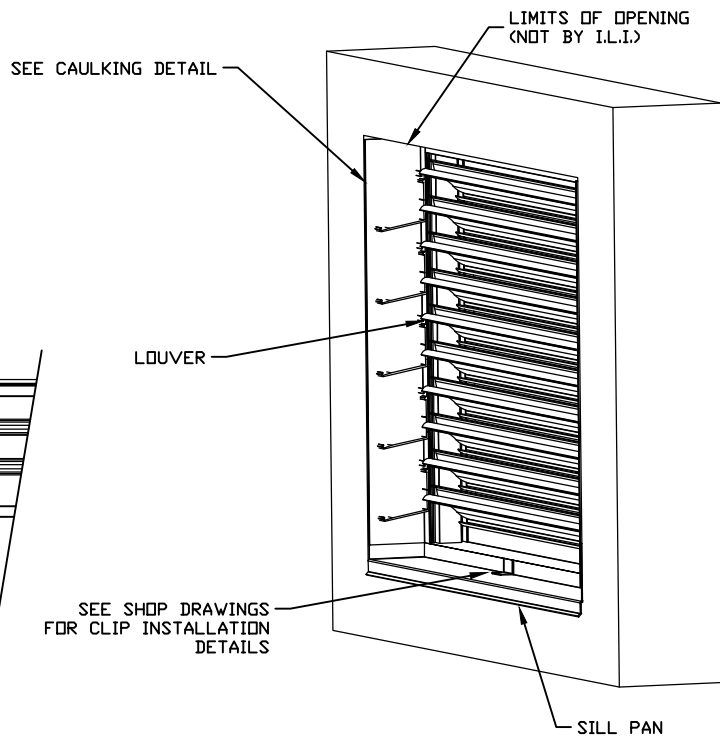
# STEP 5

## CAULKING

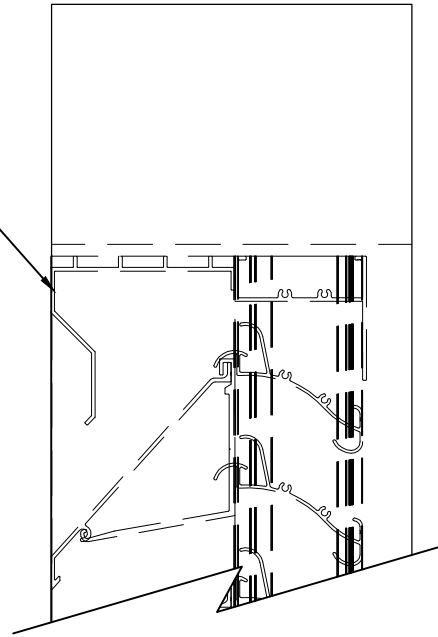
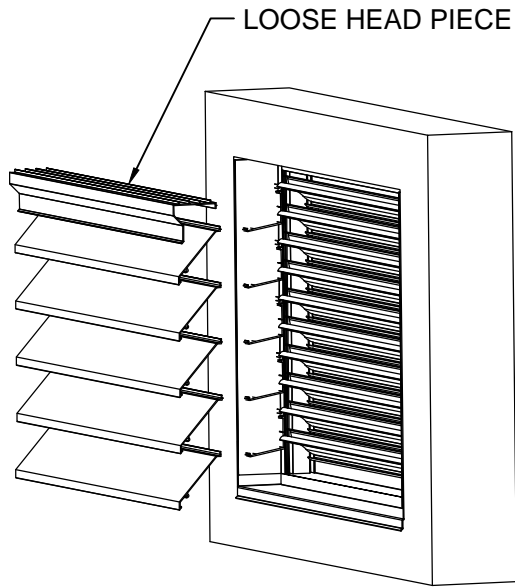
1. IF REQUIRED CAULK AROUND PERIMETER OF LOUVER AS SHOWN BELOW. (CAULK IS NOT SUPPLIED BY I.L.I.)



CAULKING DETAIL



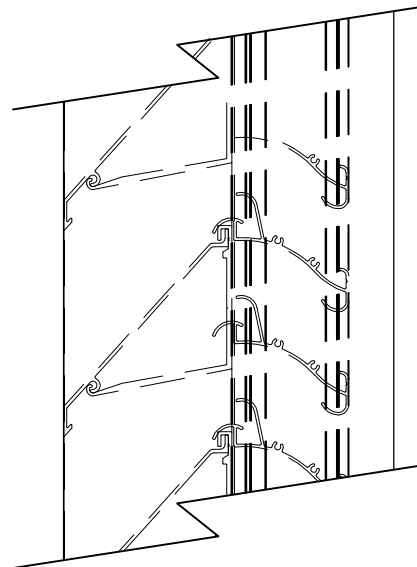
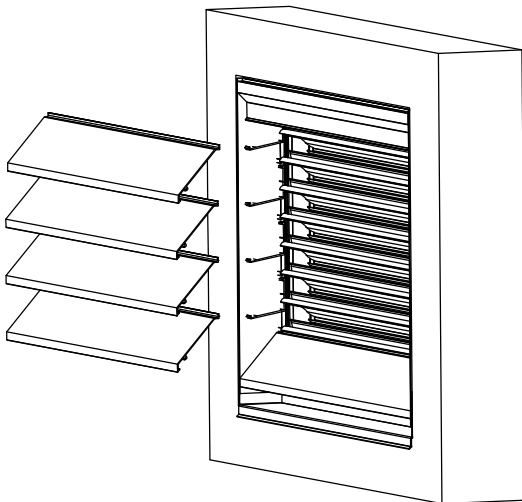
## STEP 6



### INSTALLING LOOSE HEAD PIECE

1. PLACE LOOSE HEAD PIECE INTO THE TOP OF THE ROUGH OPENING MAKING SURE TO PUSH BACK AGAINST THE LOUVER AND UP AGAINST THE HEAD OF THE ROUGH OPENING.
2. ANCHOR PART INTO SURROUNDING CONDITIONS (ALL ANCHORS TO SURROUNDING CONDITIONS ARE NOT SUPPLIED BY I.L.I.).

## STEP 7



### INSTALLING BLADES

1. SNAP BLADES INTO POSITION STARTING FROM THE BOTTOM AND WORKING TO THE TOP