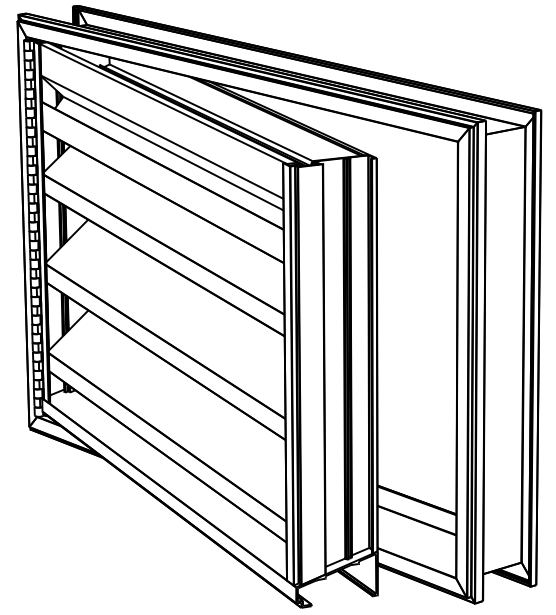
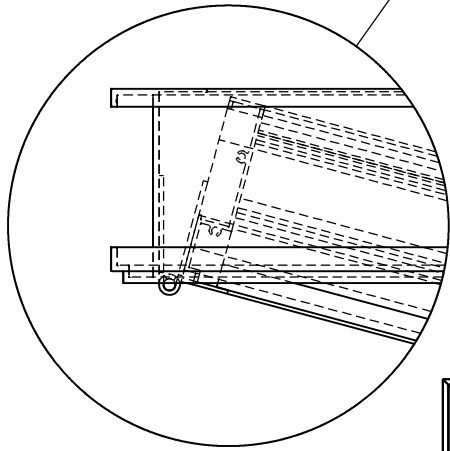
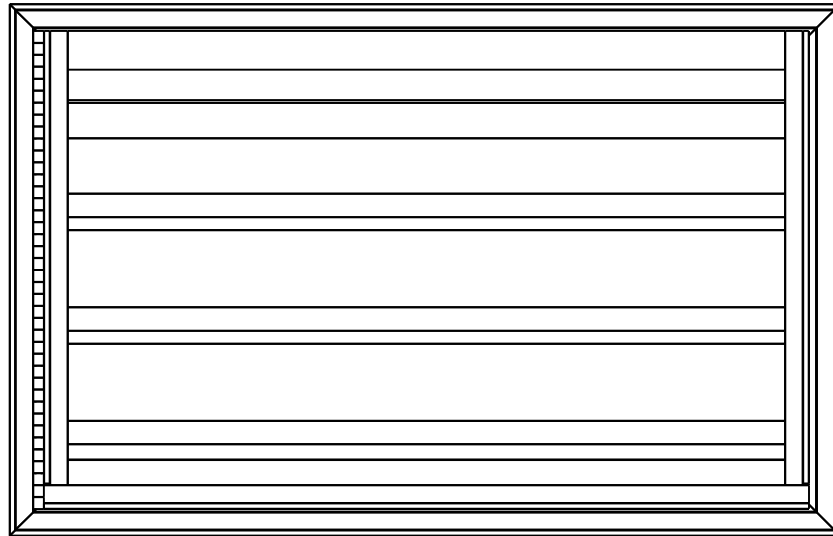


TOP VIEW



ISOMETRIC VIEW



FRONT VIEW