

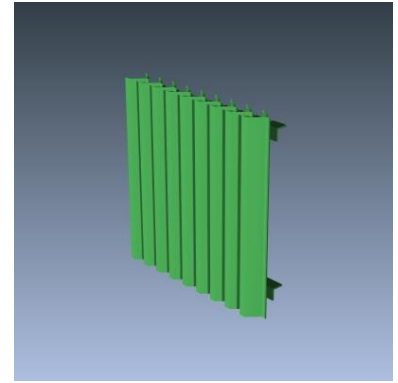


Industrial Louvers, Inc.

MODEL 486

STANDARD CONSTRUCTION

- Material: Extruded Aluminum 6063-T6
- Horizontal Supports: 2" x 2" x .25" Aluminum Support Angles
- Blades 4" (101.6mm) deep, .081" (2.1mm) nominal wall thickness
- Blade Spacing: 3.25" (82.6mm) on center
- Finish: Mill
- Free Area: 49.3%



OPTIONAL ACCESSORIES

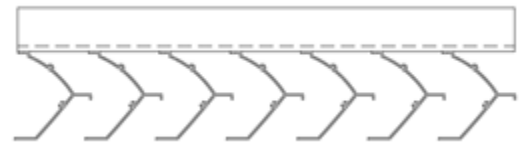
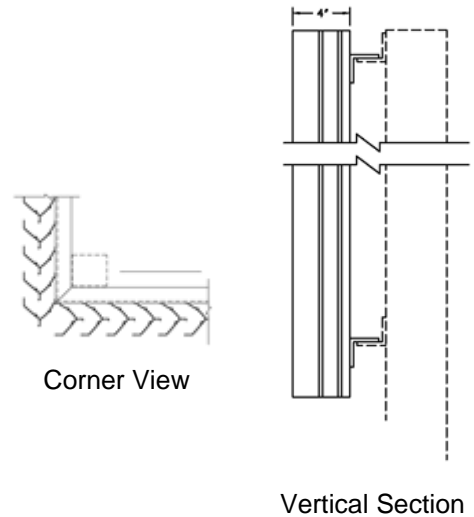
- Cap Flashing
- Hinged Access Panels
- Visible Mullions
- Invisible Mullions for continuous blade appearance

FINISHES

- 2 coat fluoropolymer: Kynar[®] 500 / custom colors available in 70%PVDF (AAMA 2605). Living Building Challenge (LBC) Red List Free.
- 3 coat fluoropolymer: Kynar 500 / Hylar 5000 custom colors available in 70% PVDF (AAMA 2605). LBC Red List Free.
- Anodic finishes: Class I and Class II in Clear, Light/Medium/Dark Bronze, Champagne, and Black.
- Prime coat
- Mill

SUGGESTED SPECIFICATIONS

- General: Furnish and install where indicated on drawings 4" (101.6mm) Extruded Aluminum Vertical Blade Equipment Screen Model 486 as manufactured by Industrial Louvers, Inc., Delano, MN.
- Material: Extruded aluminum supports and blades shall be one piece 6063-T6 alloy. Horizontal supports shall have a material thickness of .25" (6.4mm). Fixed vertical blades shall have a material thickness of .081" (2.1mm). Supports and blades shall be joined by stainless steel mechanical fastener.



Plan View

Qty.	Size:		M.O. <input type="checkbox"/>	Mullion Type	No. of Sections	Notes
	Width	Actual <input type="checkbox"/> Height				
<input type="checkbox"/>	Sill flashing:			Project:		
<input type="checkbox"/>	Screen:			Location:		
<input type="checkbox"/>	Finish:			Architect:		
	Color:			Representative:		
<input type="checkbox"/>	Other:			Date:	Job #:	

CATALOG NO. 486

Rev: FEB 2015



www.industriallouvers.com
 info@industriallouvers.com

511 South 7th Street, Delano MN 55328
 Tel: +1.763.972.2981 • Fax: +1.763.972.2911