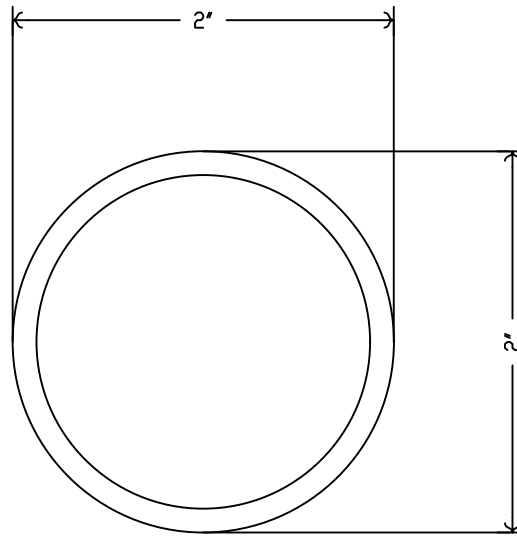




Industrial
Louvers, Inc.



Date: 7/7/2016

Part ID: TUBE1172

Description: 2" DIA X .125 TUBE

Scale: 1:1.0

Thickness: 0.125