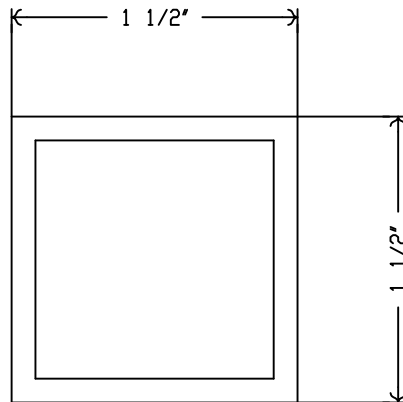




Industrial
Louvers, Inc.



Date: 7/7/2016

Part ID: TUBE1034

Description: 1 1/2 X 2 X 1/8 TUBE

Scale: 1:1.0

Thickness: 0.125