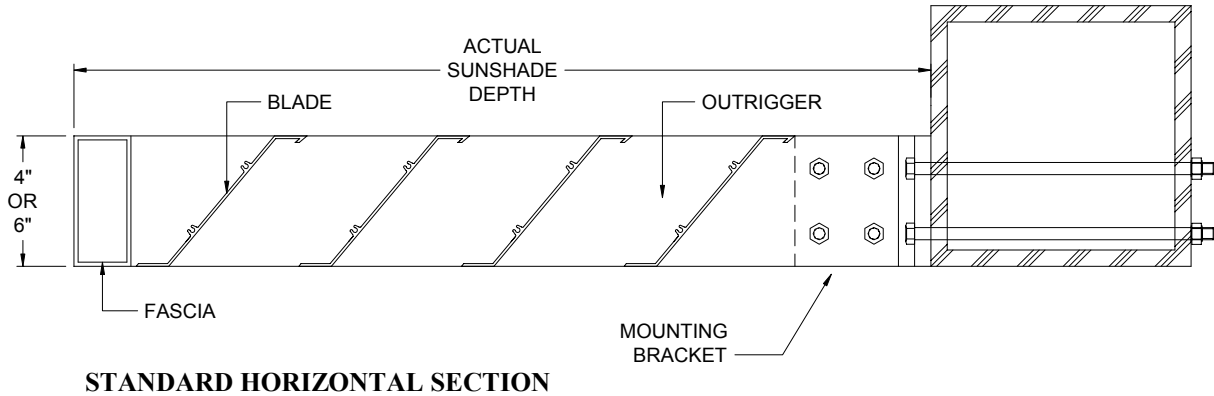
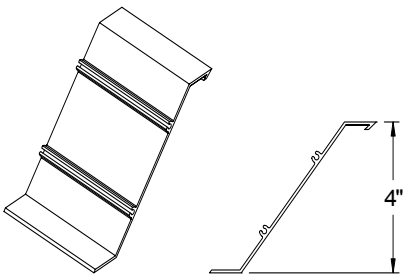
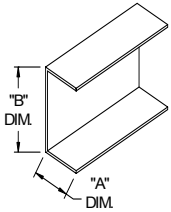
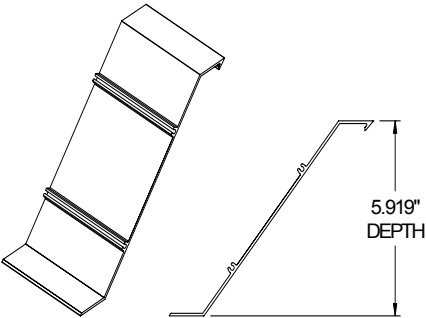
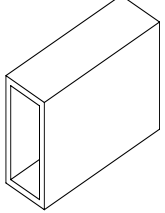
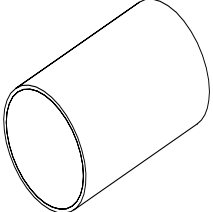
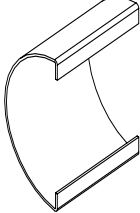


MODEL XP SERIES



BLADE OPTIONS

FASCIA OPTIONS

STANDARD SIZES SHOWN *	STANDARD SIZES LISTED *
 <p>STANDARD 4" BLADE</p>	 <p>CHANNEL FASCIA</p> <p>DIMENSION "A" 1" TO 3" IN 1" INCREMENTS</p> <p>DIMENSION "B" 1" TO 8" IN 1" INCREMENTS</p>
 <p>STANDARD 6" BLADE</p>	 <p>RECTANGULAR TUBE FASCIA</p> <p>1 3/4" X 4" X 1/8" 1" X 6" X 1/8" 2" X 6" X 1/8" 2" X 8" X 1/8"</p>
	 <p>CIRCULAR TUBE FASCIA</p> <p>1" DIA. TO 8" DIA. BY 1" INCREMENTS</p>
	 <p>BULLNOSE FASCIA</p> <p>3 7/8" X 8" X 1/8"</p>

* CUSTOM SIZES AVAILABLE UPON REQUEST

SEE BACK PAGE FOR MORE INFORMATION.

CATALOG NO. XP SERIES Rev: OCTOBER 2004



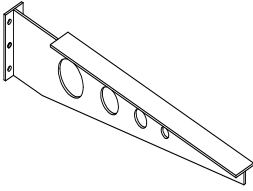
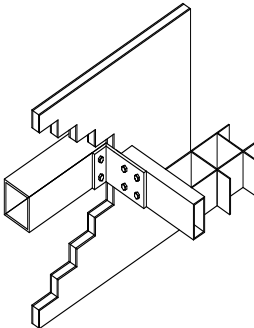
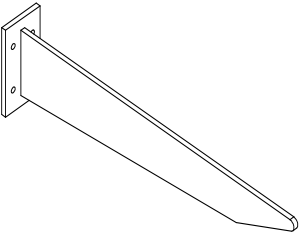
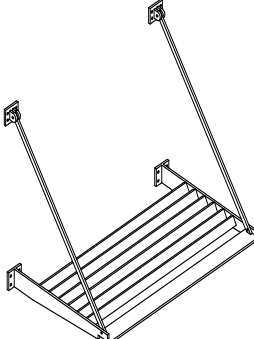
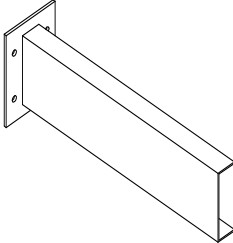
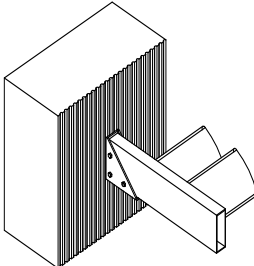
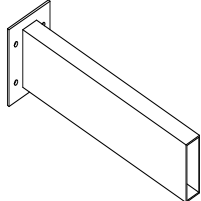
511 SOUTH 7TH STREET
DELANO MN 55328

Phone: 763.972.2981

Fax: 763.972.2911

www.industriallouvers.com
ilinfo@industriallouvers.com

MODEL XP SERIES

** OUTRIGGER OPTIONS **	** MOUNTING OPTIONS **
 <p style="text-align: center;">SPECIAL TAPERED</p>	 <p style="text-align: center;">PLATE ATTACHMENT</p>
 <p style="text-align: center;">TAPERED</p>	 <p style="text-align: center;">BACK PLATE WITH SUSPENSION ROD ASSIST</p>
 <p style="text-align: center;">CHANNEL</p>	 <p style="text-align: center;">BOOT BRACKET CONNECTION</p>
 <p style="text-align: center;">TUBULAR</p>	
<p style="text-align: center;">** THESE ARE VARIOUS STANDARD OPTIONS OFFERED BY INDUSTRIAL LOUVERS, INC. OTHER DESIGNS MAY BE AVAILABLE. PLEASE CONTACT THE FACTORY.</p>	

PROJECT _____

LOCATION _____

ARCH/ENGR. _____

REPRESENTATIVE _____

CONTRACTOR _____

DATE _____

FINISH SELECTION:

- MILL AS FABRICATED
- KYNAR 500
COLOR: _____
- ANODIZED
SHADE: _____



511 SOUTH 7TH STREET
 DELANO MN 55328
Phone: 763.972.2981
 Fax: 763.972.2911

www.industriallouvers.com
 ilinfo@industriallouvers.com