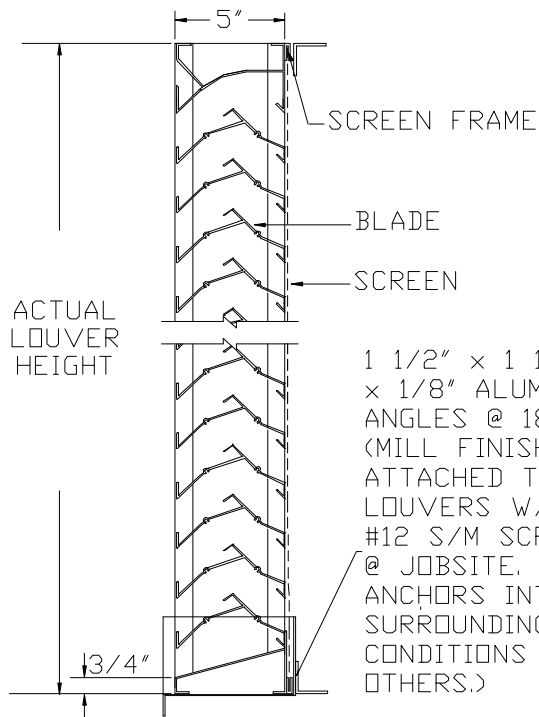
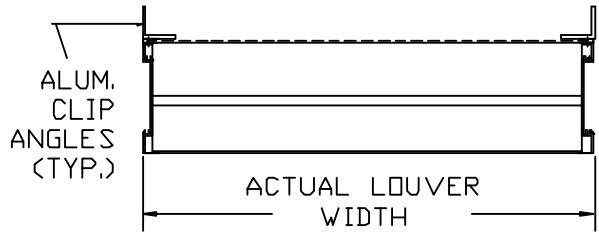


MODEL SP-537

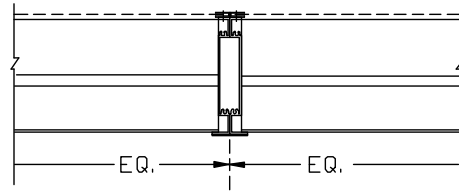


VERTICAL SECTION

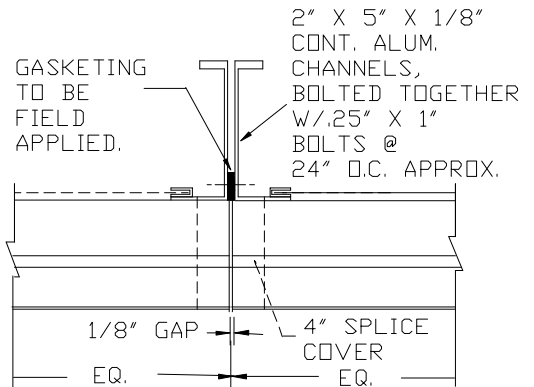
1 1/2" x 1 1/2"
x 1/8" ALUM. CLIP
ANGLES @ 18" O/C.
(MILL FINISH),
ATTACHED TO
LOUVERS W/1" X
#12 S/M SCREWS
@ JOBSITE. (ALL
ANCHORS INTO
SURROUNDING
CONDITIONS BY
OTHERS.)



HORIZONTAL SECTION



VISIBLE MULLION DETAIL



INVISIBLE MULLION DETAIL

ACCESSORIES:

- SCREEN _____
- FINISH _____
- COLOR _____
- OTHER _____

ITEM NO.	QTY	SIZE		M.O.	MULLION TYPE	NO. OF SECTIONS	REMARKS
		Actual	WIDTH				
				<input type="checkbox"/>			
				<input type="checkbox"/>			
				<input type="checkbox"/>			

PROJECT _____ REPRESENTATIVE _____

LOCATION _____ ILI JOB NO. _____ REP NO. _____

ARCH/ENGR. _____

CONTRACTOR _____

DATE _____

Industrial Louvers, Inc. Phone: 763-972-2981
511 South 7th Street Fax: 763-972-2911
Delano, MN 55328

CATALOG NO. SP-537

Rev: AUGUST 2009