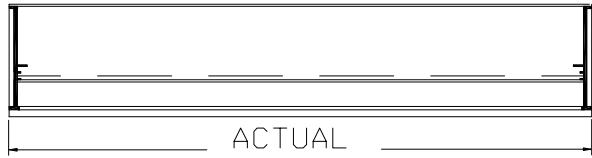


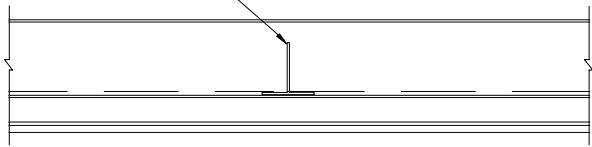
# MODEL BV



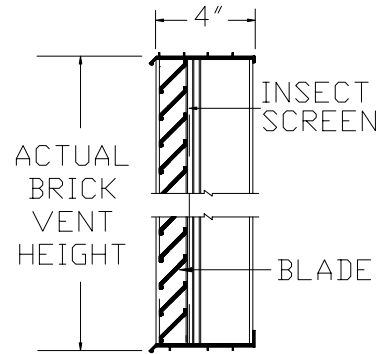
ACTUAL  
BRICK VENT  
WIDTH

**HORIZONTAL SECTION**

STIFFENER REQUIRED  
@ 16" O.C. MAXIMUM  
SPACING



**INTERMEDIATE SUPPORT**

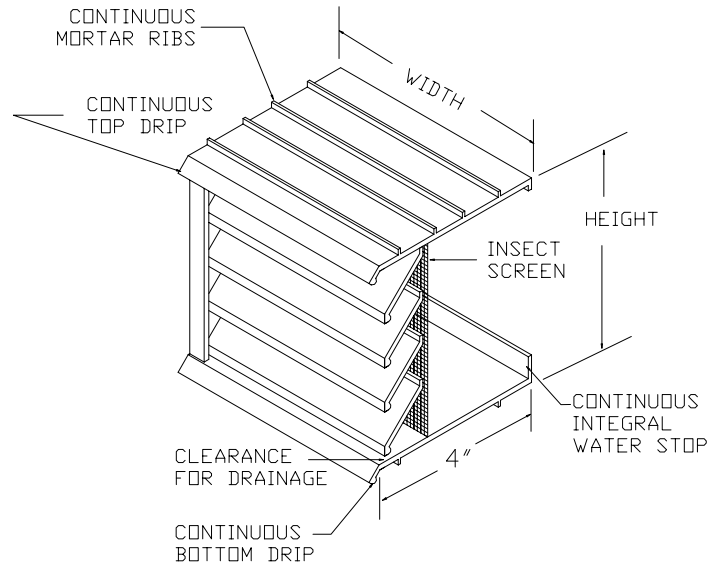


ACTUAL  
BRICK VENT  
HEIGHT

INSECT  
SCREEN

BLADE

**VERTICAL SECTION**



CONTINUOUS  
MORTAR RIBS

CONTINUOUS  
TOP DRIP

CLEARANCE  
FOR DRAINAGE

CONTINUOUS  
BOTTOM DRIP

WIDTH

HEIGHT

INSECT  
SCREEN

CONTINUOUS  
INTEGRAL  
WATER STOP

**ACCESSORIES:**

- FINISH \_\_\_\_\_
- COLOR \_\_\_\_\_
- OTHER \_\_\_\_\_

ITEM NO.	QTY	SIZE	Actual	M.O.	NO. OF SECTIONS	REMARKS
			WIDTH	HEIGHT		

PROJECT \_\_\_\_\_

LOCATION \_\_\_\_\_

ARCH/ENGR. \_\_\_\_\_

CONTRACTOR \_\_\_\_\_

DATE \_\_\_\_\_

REPRESENTATIVE \_\_\_\_\_

ILI JOB NO. \_\_\_\_\_

REP NO. \_\_\_\_\_

Industrial Louvers, Inc. Phone: 763-972-2981  
511 South 7th Street Fax: 763-972-2911  
Delano, MN 55328

CATALOG NO. BV

Rev: JANUARY 2004