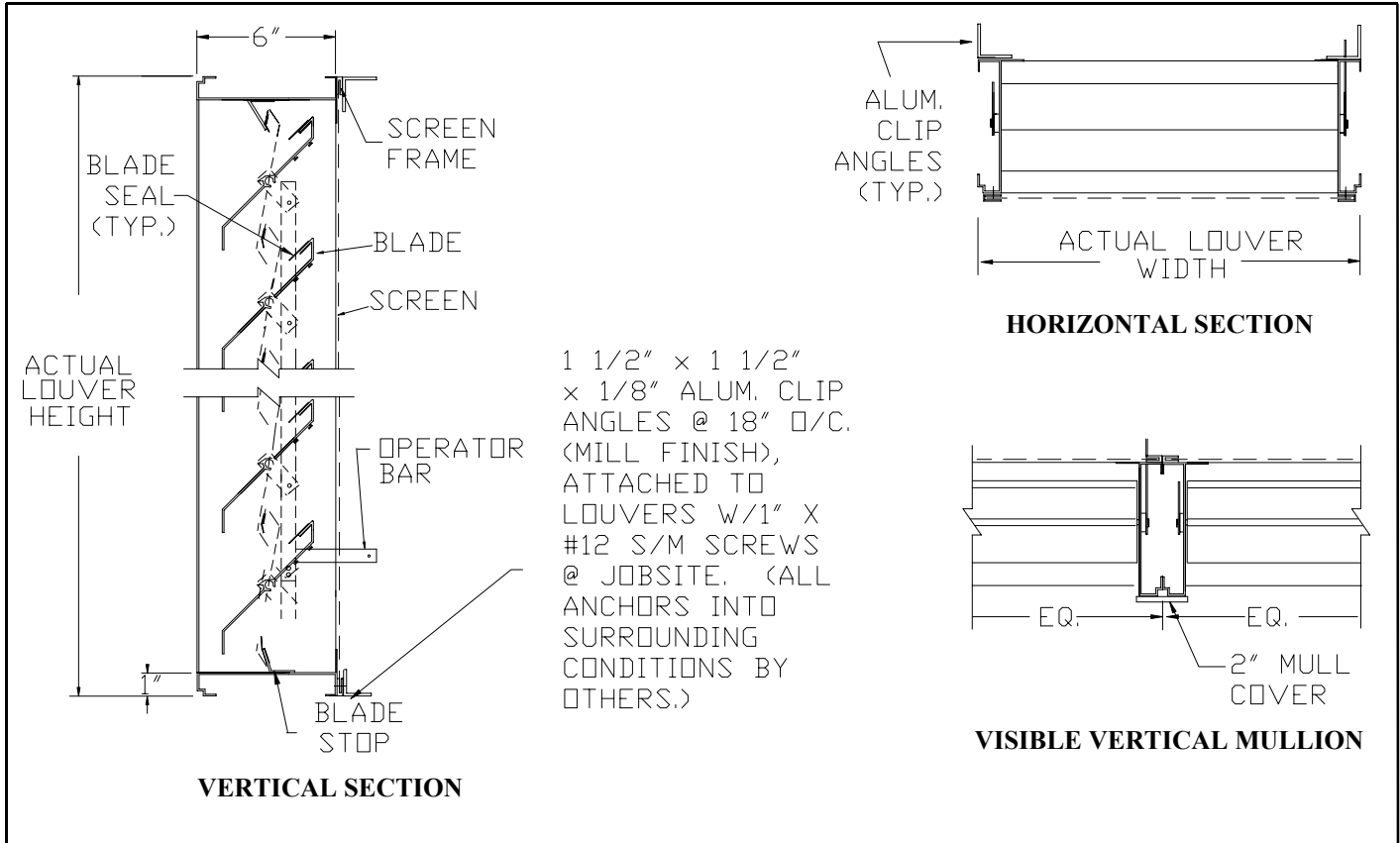


# MODEL 671



**ACCESSORIES:**

- SILL FLASHING - DEPTH \_\_\_\_\_
- SCREEN \_\_\_\_\_
- FINISH \_\_\_\_\_  
COLOR \_\_\_\_\_
- OTHER \_\_\_\_\_

**METHOD OF OPERATION**

- WING NUT
- PULL CHAIN
- HAND CRANK
- MOTOR \_\_\_\_\_

ITEM NO.	QTY	SIZE		M.O.	MULLION TYPE	NO. OF SECTIONS	REMARKS
		Actual <input type="checkbox"/>	Width				
				<input type="checkbox"/>			
				<input type="checkbox"/>			
				<input type="checkbox"/>			

PROJECT \_\_\_\_\_ REPRESENTATIVE \_\_\_\_\_

LOCATION \_\_\_\_\_ ILLI JOB NO. \_\_\_\_\_ REP NO. \_\_\_\_\_

ARCH/ENGR. \_\_\_\_\_

Industrial Louvers, Inc. Phone: 763-972-2981  
511 South 7th Street Fax: 763-972-2911  
Delano, MN 55328

CONTRACTOR \_\_\_\_\_

DATE \_\_\_\_\_

CATALOG NO. 671 Rev: JANUARY 2004