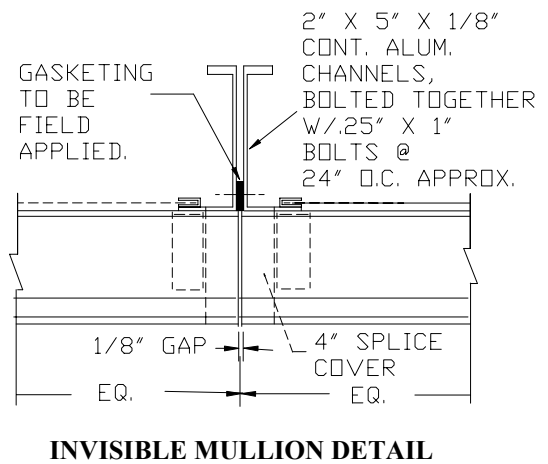
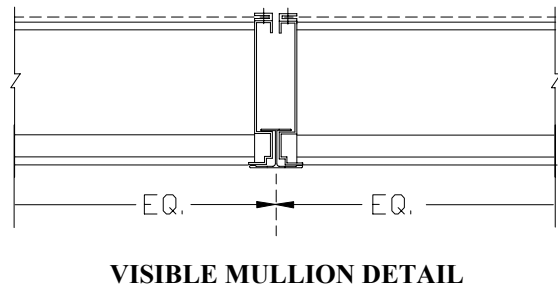
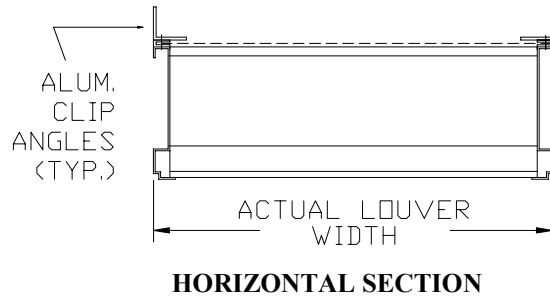
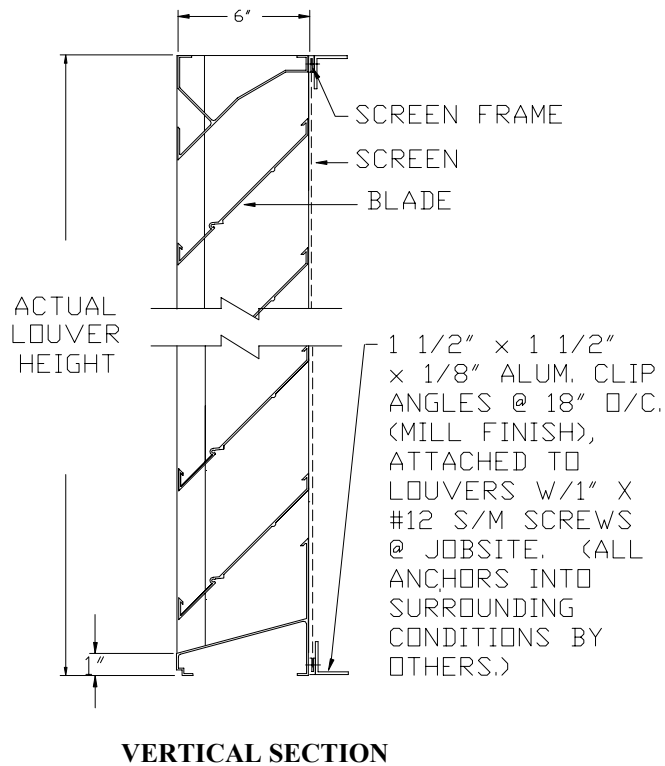


# MODEL 658



**ACCESSORIES:**

- SILL FLASHING - DEPTH \_\_\_\_\_
- SCREEN \_\_\_\_\_
- FINISH \_\_\_\_\_  
COLOR \_\_\_\_\_
- OTHER \_\_\_\_\_

ITEM NO.	QTY	SIZE		Actual <input type="checkbox"/>	M.O. <input type="checkbox"/>	MULLION TYPE	NO. OF SECTIONS	REMARKS
		WIDTH	HEIGHT					

<b>PROJECT</b> _____	<b>REPRESENTATIVE</b> _____
<b>LOCATION</b> _____	<b>ILI JOB NO.</b> _____ <b>REP NO.</b> _____
<b>ARCH/ENGR.</b> _____	Industrial Louvers, Inc. Phone: 763-972-2981
<b>CONTRACTOR</b> _____	511 South 7th Street Fax: 763-972-2911
<b>DATE</b> _____	Delano, MN 55328
	CATALOG NO. 658 Rev: AUGUST 2006