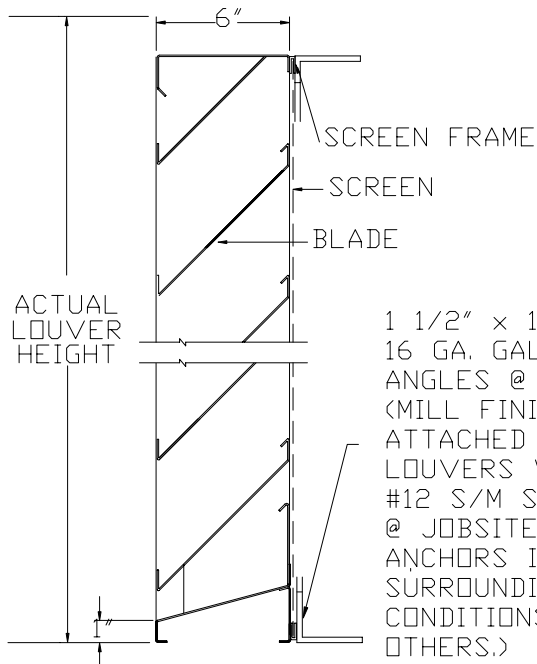
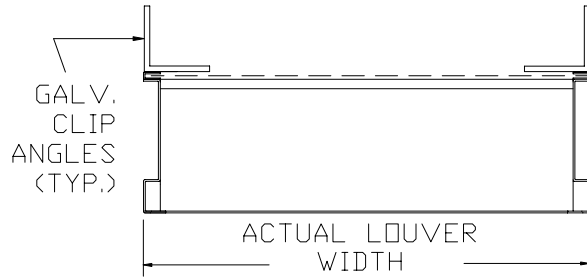


# MODEL 608

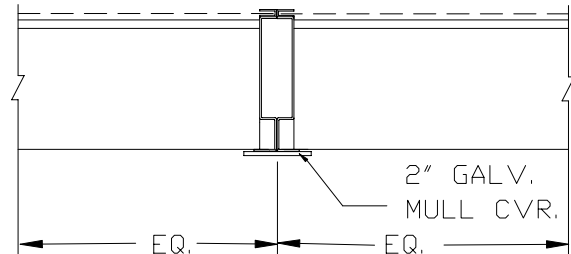


**VERTICAL SECTION**

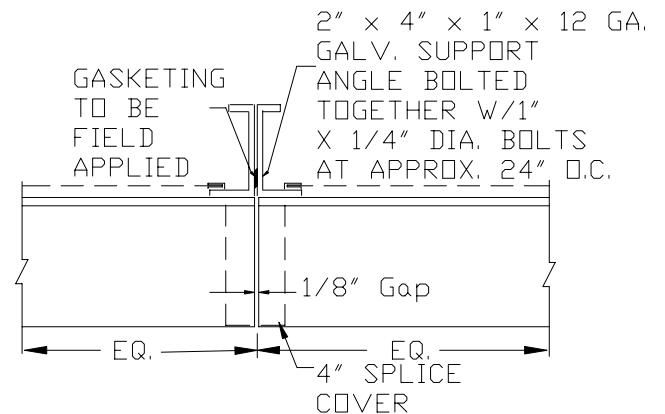
1 1/2" x 1 1/2" x 16 GA. GALV. CLIP ANGLES @ 18" O/C. (MILL FINISH), ATTACHED TO LOUVERS W/1" X #12 S/M SCREWS @ JOBSITE. (ALL ANCHORS INTO SURROUNDING CONDITIONS BY OTHERS.)



**HORIZONTAL SECTION**



**VISIBLE MULLION DETAIL**



**INVISIBLE MULLION DETAIL**

**ACCESSORIES:**

- SILL FLASHING - DEPTH \_\_\_\_\_
- SCREEN \_\_\_\_\_
- FINISH \_\_\_\_\_
- COLOR \_\_\_\_\_
- OTHER \_\_\_\_\_

ITEM NO.	QTY	SIZE	Actual	M.O.	MULLION TYPE	NO. OF SECTIONS	REMARKS
		WIDTH	HEIGHT				

PROJECT _____	REPRESENTATIVE _____
LOCATION _____	ILI JOB NO. _____ REP NO. _____
ARCH/ENGR. _____	Industrial Louvers, Inc. Phone: 763-972-2981
CONTRACTOR _____	511 South 7th Street Fax: 763-972-2911
DATE _____	Delano, MN 55328
	CATALOG NO. 608 Rev: JANUARY 2004