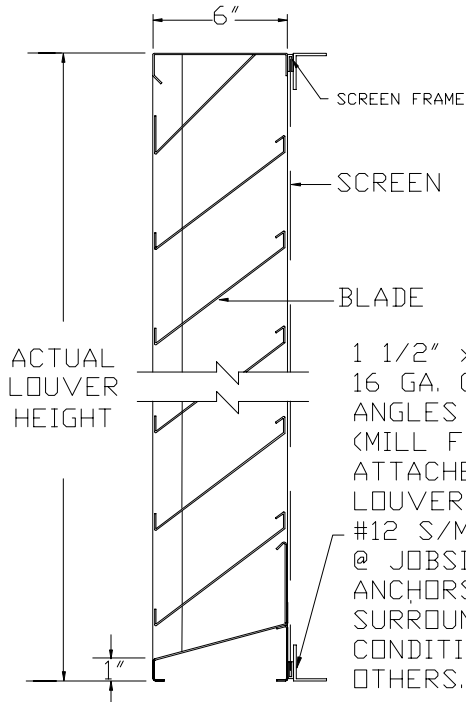
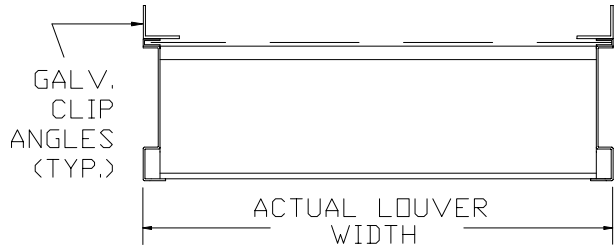


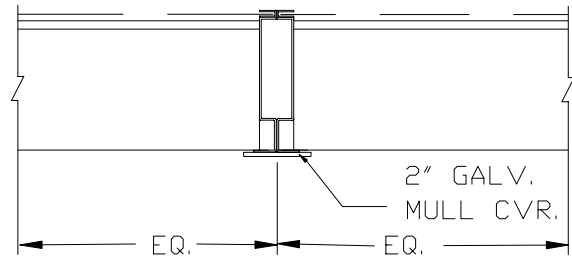
# MODEL 607SXP



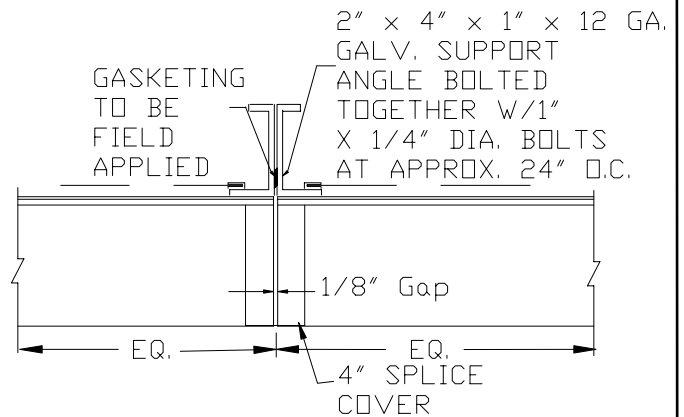
**VERTICAL SECTION**



**HORIZONTAL SECTION**



**VISIBLE MULLION DETAIL**



**INVISIBLE MULLION DETAIL**

**ACCESSORIES:**

- SILL FLASHING - DEPTH \_\_\_\_\_
- SCREEN \_\_\_\_\_
- FINISH \_\_\_\_\_
- COLOR \_\_\_\_\_
- OTHER \_\_\_\_\_

ITEM NO.	QTY	SIZE		Actual <input type="checkbox"/>	M.O. <input type="checkbox"/>	MULLION TYPE	NO. OF SECTIONS	REMARKS
		WIDTH	HEIGHT					

PROJECT _____	REPRESENTATIVE _____
LOCATION _____	ILI JOB NO. _____ REP NO. _____
ARCH/ENGR. _____	Industrial Louvers, Inc. Phone: 763-972-2981
CONTRACTOR _____	511 South 7th Street Fax: 763-972-2911
DATE _____	Delano, MN 55328
CATALOG NO. 607SXP Rev: JANUARY 2004	