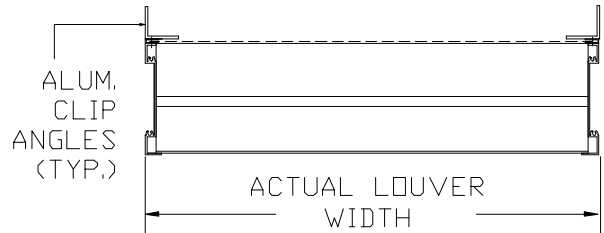
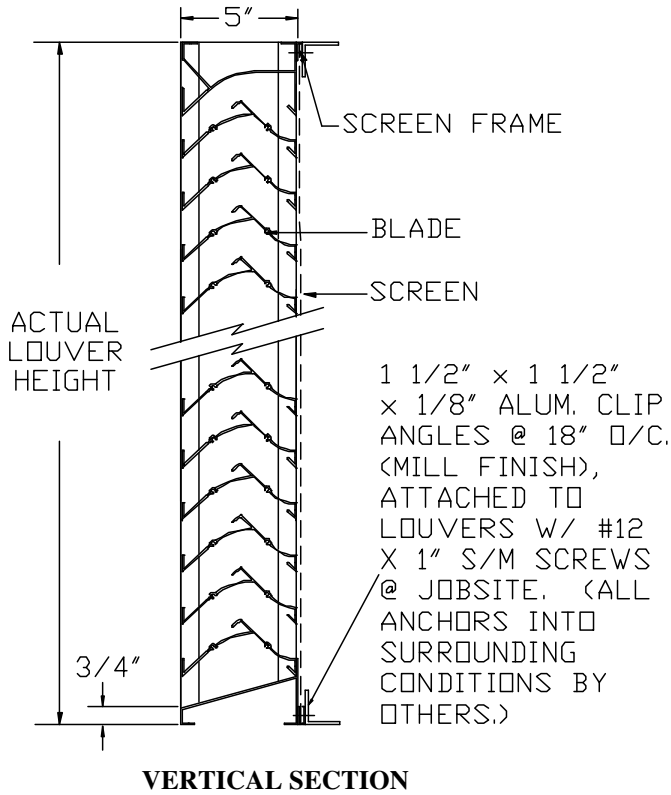
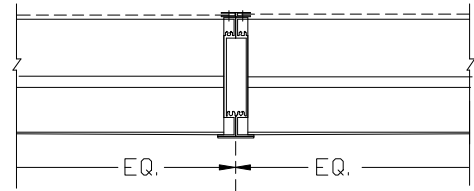


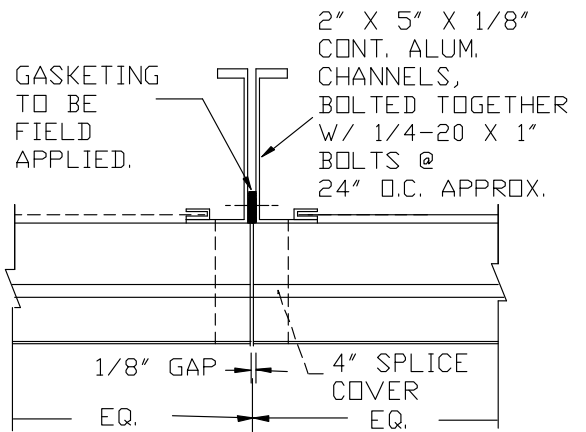
# MODEL 537XP



**HORIZONTAL SECTION**



**VISIBLE MULLION DETAIL**



**INVISIBLE MULLION DETAIL**

**ACCESSORIES:**

- SILL FLASHING - DEPTH \_\_\_\_\_
- SCREEN \_\_\_\_\_
- FINISH \_\_\_\_\_  
COLOR \_\_\_\_\_
- OTHER \_\_\_\_\_

ITEM NO.	QTY	SIZE		Actual <input type="checkbox"/>	M.O. <input type="checkbox"/>	MULLION TYPE	NO. OF SECTIONS	REMARKS
		WIDTH	HEIGHT					

**PROJECT** \_\_\_\_\_ **REPRESENTATIVE** \_\_\_\_\_  
**LOCATION** \_\_\_\_\_ **ILI JOB NO.** \_\_\_\_\_ **REP NO.** \_\_\_\_\_  
**ARCH/ENGR.** \_\_\_\_\_  
**CONTRACTOR** \_\_\_\_\_  
**DATE** \_\_\_\_\_

Industrial Louvers, Inc. Phone: 763-972-2981  
 511 South 7th Street Fax: 763-972-2911  
 Delano, MN 55328  
 CATALOG NO. 537XP Rev: AUGUST 2009