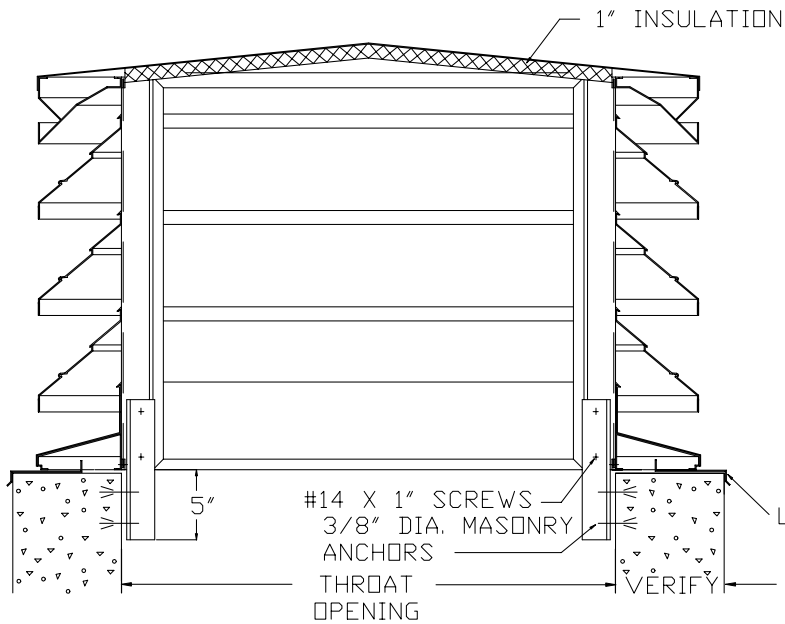
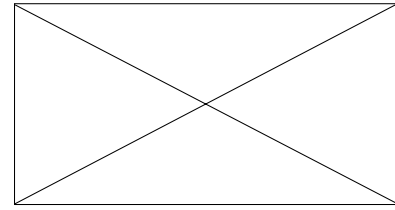


# MODEL 480XP

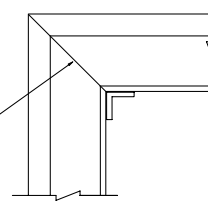


**VERTICAL SECTION**

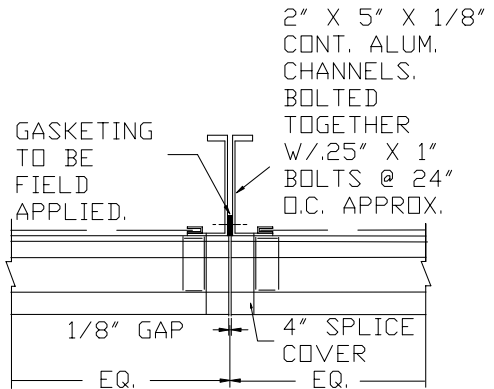


**ROOF ELEVATION**

CORNER  
MITERED  
AND WELDED  
W/2" X 2"  
X 1/4"  
SUPPORT  
ANGLE.



**TYPICAL MITERED  
CORNER SECTION**



**INVISIBLE MULLION DETAIL**

**ACCESSORIES:**

- SILL FLASHING - DEPTH \_\_\_\_\_
- SCREEN \_\_\_\_\_
- FINISH \_\_\_\_\_
- COLOR \_\_\_\_\_
- OTHER \_\_\_\_\_

ITEM NO.	QTY	THROAT OPENING.		PENTHOUSE HEIGHT	NO. OF SECTIONS	REMARKS
		WIDTH	LENGTH			

PROJECT \_\_\_\_\_ REPRESENTATIVE \_\_\_\_\_

LOCATION \_\_\_\_\_ ILI JOB NO. \_\_\_\_\_ REP NO. \_\_\_\_\_

ARCH/ENGR. \_\_\_\_\_

Industrial Louvers, Inc. Phone: 763-972-2981  
511 South 7th Street Fax: 763-972-2911  
Delano, MN 55328

CONTRACTOR \_\_\_\_\_

DATE \_\_\_\_\_

CATALOG NO. 480XP Rev: JANUARY 2004