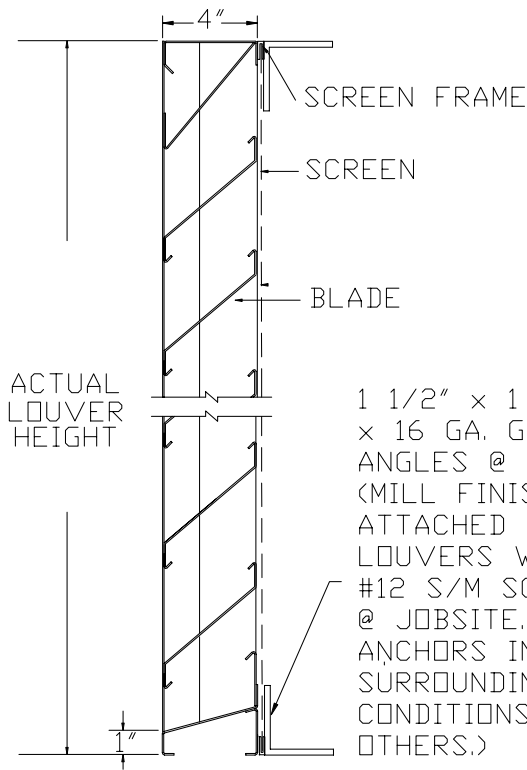
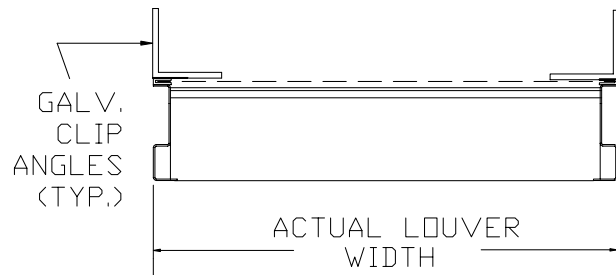


MODEL 413SXP

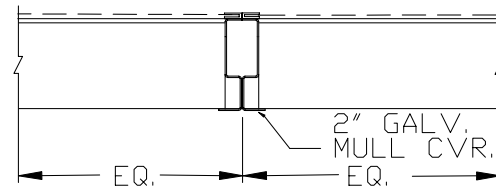


VERTICAL SECTION

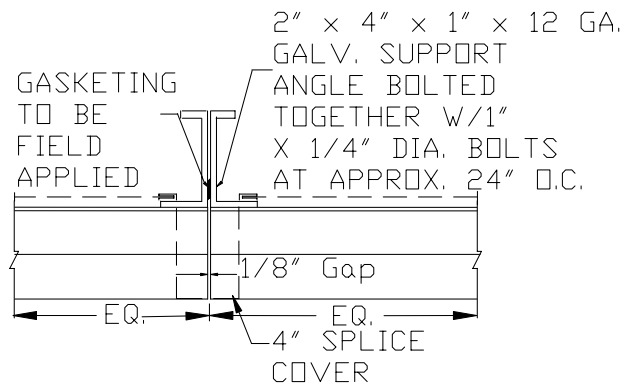


HORIZONTAL SECTION

1 1/2" x 1 1/2"
x 16 GA. GALV. CLIP
ANGLES @ 18" O/C.
(MILL FINISH),
ATTACHED TO
LOUVERS W/1" X
#12 S/M SCREWS
@ JOBSITE. (ALL
ANCHORS INTO
SURROUNDING
CONDITIONS BY
OTHERS.)



VISIBLE MULLION DETAIL



INVISIBLE MULLION DETAIL

ACCESSORIES:

- SILL FLASHING - DEPTH _____
- SCREEN _____
- FINISH _____
- COLOR _____
- OTHER _____

ITEM NO.	QTY	SIZE	Actual	M.O.	MULLION TYPE	NO. OF SECTIONS	REMARKS
		WIDTH	HEIGHT				

PROJECT _____ **REPRESENTATIVE** _____
LOCATION _____ **ILI JOB NO.** _____ **REP NO.** _____
ARCH/ENGR. _____
CONTRACTOR _____
DATE _____

Industrial Louvers, Inc. Phone: 763-972-2981
 511 South 7th Street Fax: 763-972-2911
 Delano, MN 55328
 CATALOG NO. 413SXP Rev: JANUARY 2004