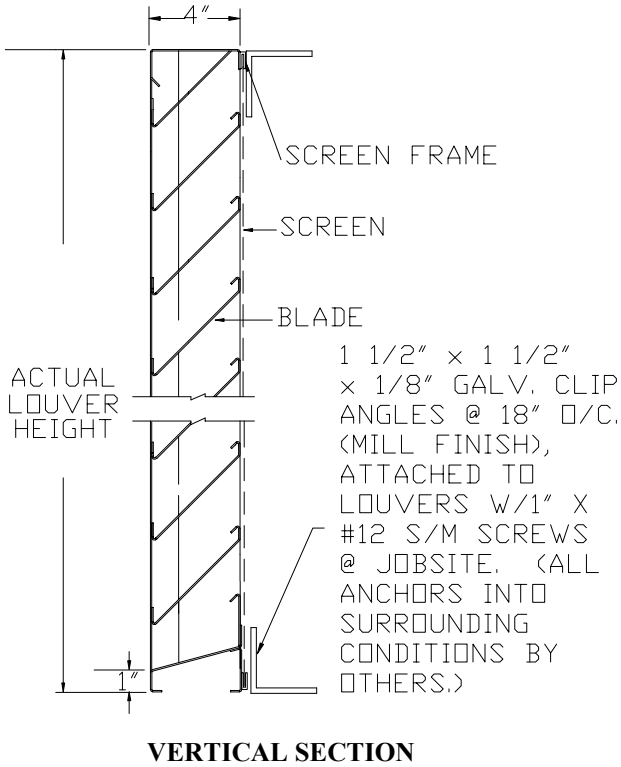
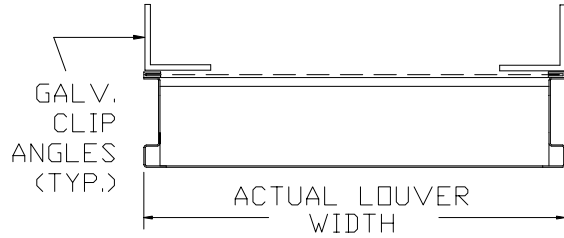


MODEL 408

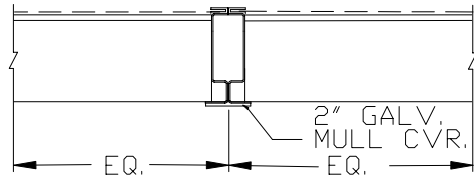


1 1/2" x 1 1/2"
x 1/8" GALV. CLIP
ANGLES @ 18" O/C.
(MILL FINISH),
ATTACHED TO
LOUVERS W/1" X
#12 S/M SCREWS
@ JOBSITE. (ALL
ANCHORS INTO
SURROUNDING
CONDITIONS BY
OTHERS.)

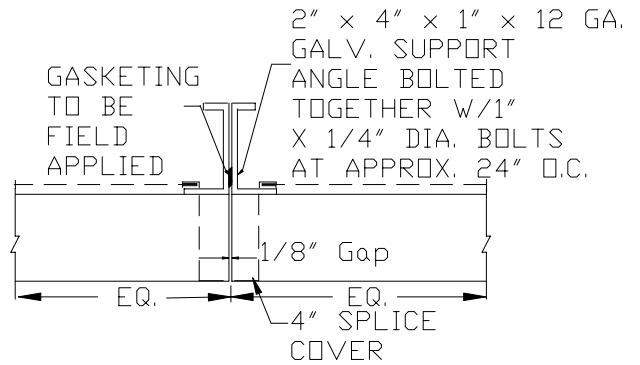
VERTICAL SECTION



HORIZONTAL SECTION



VISIBLE MULLION DETAIL



INVISIBLE MULLION DETAIL

ACCESSORIES:

- SILL FLASHING - DEPTH _____
- SCREEN _____
- FINISH _____
COLOR _____
- OTHER _____

ITEM NO.	QTY	SIZE	Actual	M.O.	MULLION TYPE	NO. OF SECTIONS	REMARKS
		WIDTH	HEIGHT				

PROJECT _____	REPRESENTATIVE _____
LOCATION _____	ILI JOB NO. _____ REP NO. _____
ARCH/ENGR. _____	Industrial Louvers, Inc. Phone: 763-972-2981 511 South 7th Street Fax: 763-972-2911 Delano, MN 55328
CONTRACTOR _____	CATALOG NO. 408 Rev: JANUARY 2004
DATE _____	