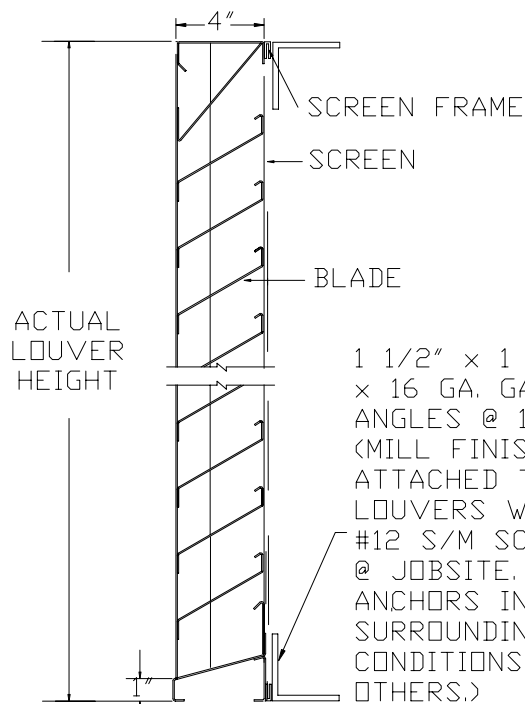
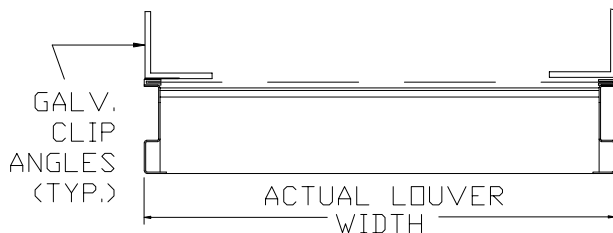


MODEL 406SXP

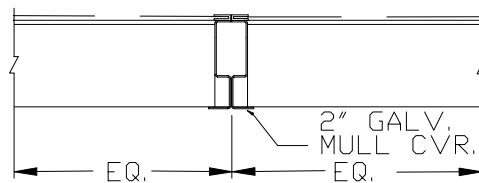


VERTICAL SECTION



HORIZONTAL SECTION

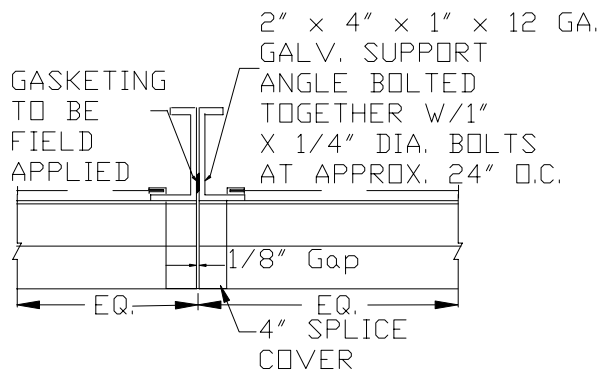
1 1/2" x 1 1/2"
x 16 GA. GALV. CLIP
ANGLES @ 18" O/C.
(MILL FINISH),
ATTACHED TO
LOUVERS W/1" X
#12 S/M SCREWS
@ JOBSITE. (ALL
ANCHORS INTO
SURROUNDING
CONDITIONS BY
OTHERS.)



VISIBLE MULLION DETAIL

ACCESSORIES:

- SILL FLASHING - DEPTH _____
- SCREEN _____
- FINISH _____
COLOR _____
- OTHER _____



INVISIBLE MULLION DETAIL

ITEM NO.	QTY	SIZE		Actual <input type="checkbox"/>	M.O. <input type="checkbox"/>	MULLION TYPE	NO. OF SECTIONS	REMARKS
		WIDTH	HEIGHT					

PROJECT _____	REPRESENTATIVE _____
LOCATION _____	ILI JOB NO. _____ REP NO. _____
ARCH/ENGR. _____	Industrial Louvers, Inc. Phone: 763-972-2981
CONTRACTOR _____	511 South 7th Street Fax: 763-972-2911
DATE _____	Delano, MN 55328
CATALOG NO. 406SXP Rev: JANUARY 2004	