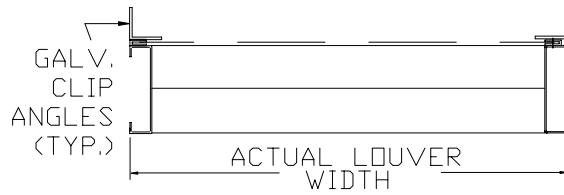
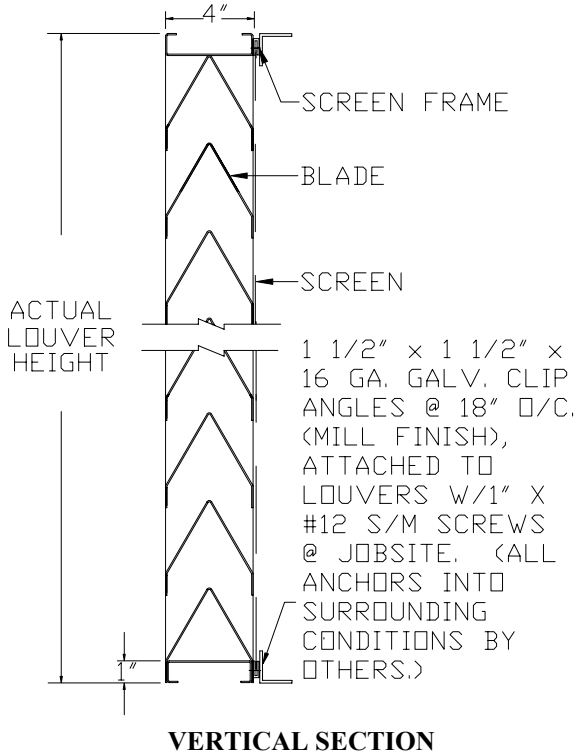
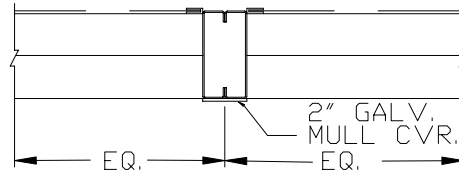


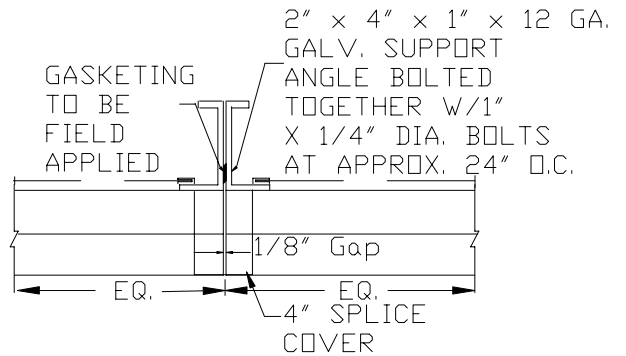
# MODEL 405



**HORIZONTAL SECTION**



**VISIBLE MULLION DETAIL**



**INVISIBLE MULLION DETAIL**

**ACCESSORIES:**

- SILL FLASHING - DEPTH \_\_\_\_\_
- SCREEN \_\_\_\_\_
- FINISH \_\_\_\_\_  
COLOR \_\_\_\_\_
- OTHER \_\_\_\_\_

| ITEM NO. | QTY | SIZE  | Actual | M.O.   | MULLION TYPE | NO. OF SECTIONS | REMARKS |
|----------|-----|-------|--------|--------|--------------|-----------------|---------|
|          |     | WIDTH |        | HEIGHT |              |                 |         |
|          |     |       |        |        |              |                 |         |
|          |     |       |        |        |              |                 |         |
|          |     |       |        |        |              |                 |         |

|                                   |                                               |
|-----------------------------------|-----------------------------------------------|
| <b>PROJECT</b> _____              | <b>REPRESENTATIVE</b> _____                   |
| <b>LOCATION</b> _____             | <b>ILI JOB NO.</b> _____ <b>REP NO.</b> _____ |
| <b>ARCH/ENGR.</b> _____           | Industrial Louvers, Inc. Phone: 763-972-2981  |
| <b>CONTRACTOR</b> _____           | 511 South 7th Street Fax: 763-972-2911        |
| <b>DATE</b> _____                 | Delano, MN 55328                              |
| CATALOG NO. 405 Rev: JANUARY 2004 |                                               |