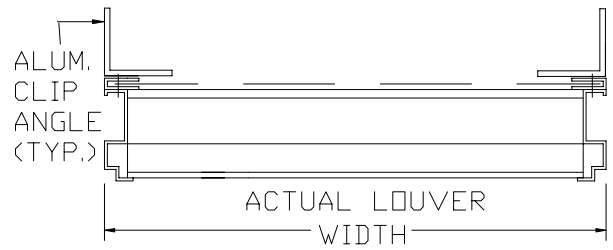
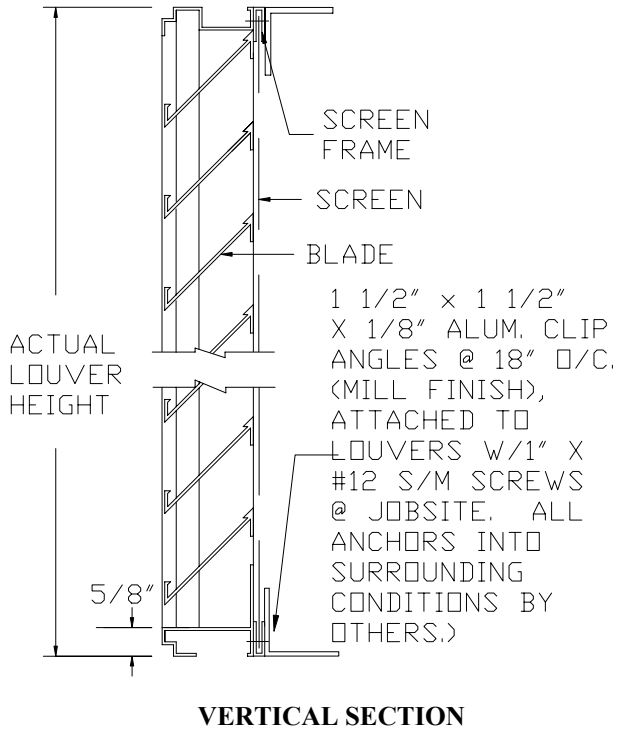
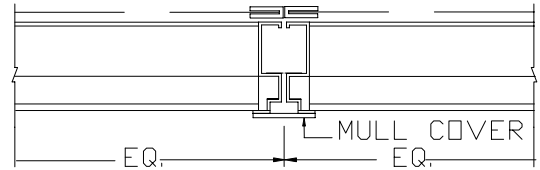


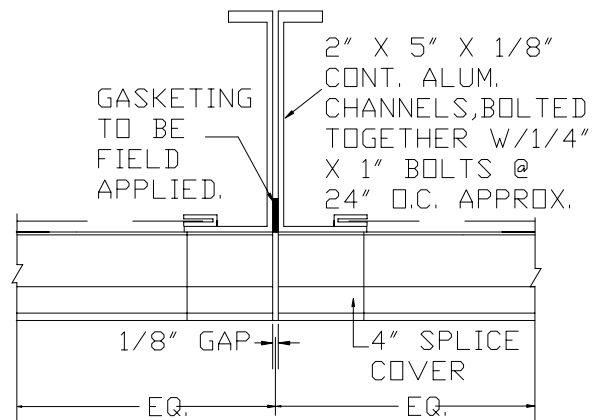
MODEL 258



HORIZONTAL SECTION



VISIBLE MULLION DETAIL



INVISIBLE MULLION DETAIL

ACCESSORIES:

- SILL FLASHING - DEPTH _____
- SCREEN _____
- FINISH _____
COLOR _____
- OTHER _____

ITEM NO.	QTY	SIZE		Actual <input type="checkbox"/>	M.O. <input type="checkbox"/>	MULLION TYPE	NO. OF SECTIONS	REMARKS
		WIDTH	HEIGHT					

PROJECT _____ REPRESENTATIVE _____

LOCATION _____ ILI JOB NO. _____ REP NO. _____

ARCH/ENGR. _____

CONTRACTOR _____

DATE _____

Industrial Louvers, Inc. Phone: 763-972-2981
511 South 7th Street Fax: 763-972-2911
Delano, MN 55328

CATALOG NO. 258 Rev: JANUARY 2004