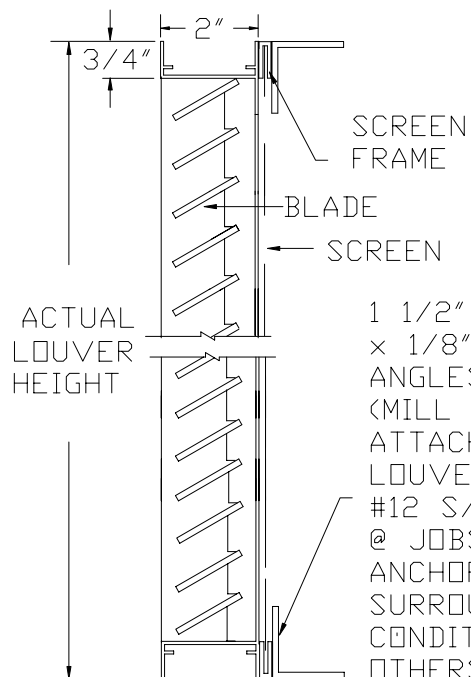
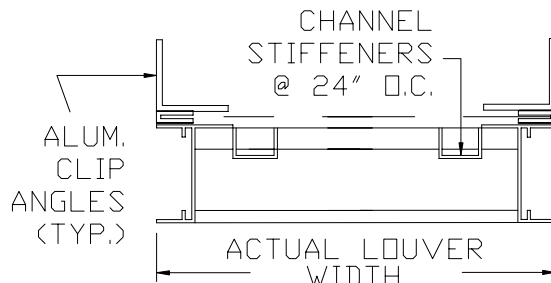


MODEL 150

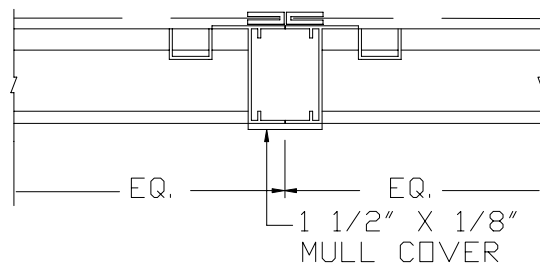


VERTICAL SECTION

1 1/2" x 1 1/2" x 1/8" ALUM. CLIP ANGLES @ 18" O.C. (MILL FINISH), ATTACHED TO LOUVERS W/1" X #12 S/M SCREWS @ JOBSITE. (ALL ANCHORS INTO SURROUNDING CONDITIONS BY OTHERS.)



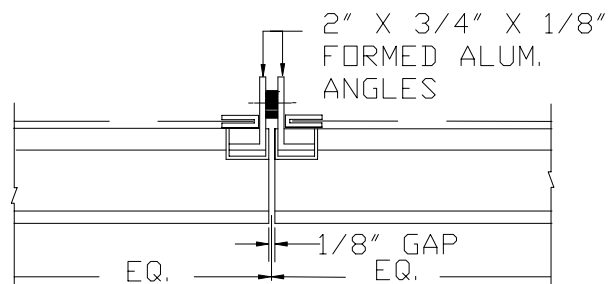
HORIZONTAL SECTION



VISIBLE MULLION DETAIL

ACCESSORIES:

- SILL FLASHING - DEPTH _____
- SCREEN _____
- FINISH _____
- COLOR _____
- OTHER _____



INVISIBLE MULLION DETAIL

ITEM NO.	QTY	SIZE		Actual <input type="checkbox"/>	M.O. <input type="checkbox"/>	MULLION TYPE	NO. OF SECTIONS	REMARKS
		WIDTH	HEIGHT					

PROJECT _____ **REPRESENTATIVE** _____

LOCATION _____ **ILI JOB NO.** _____ **REP NO.** _____

ARCH/ENGR. _____

CONTRACTOR _____

DATE _____

Industrial Louvers, Inc. Phone: 763-972-2981
 511 South 7th Street Fax: 763-972-2911
 Delano, MN 55328

CATALOG NO. 150 Rev: JANUARY 2004