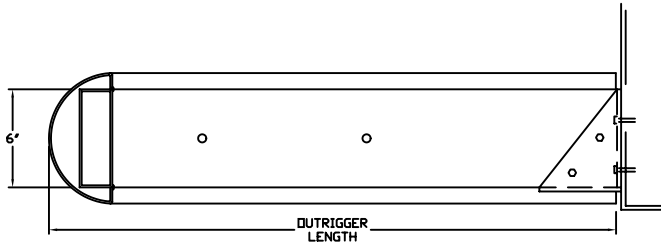
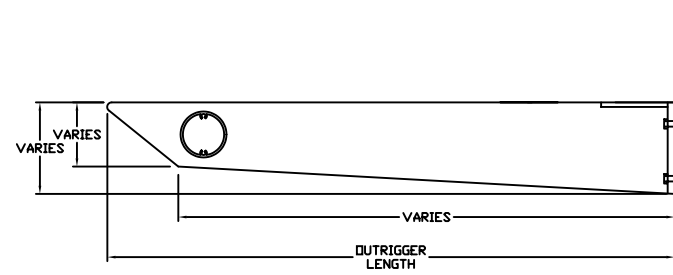


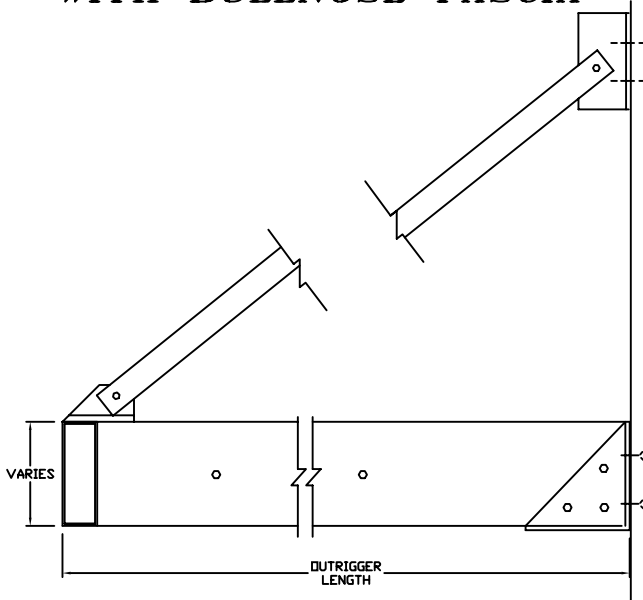
# OUTRIGGERS & FASCIA OPTIONS



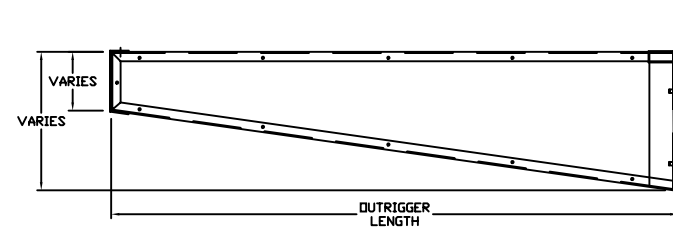
**CHANNEL OUTRIGGER  
WITH BULLNOSE FASCIA**



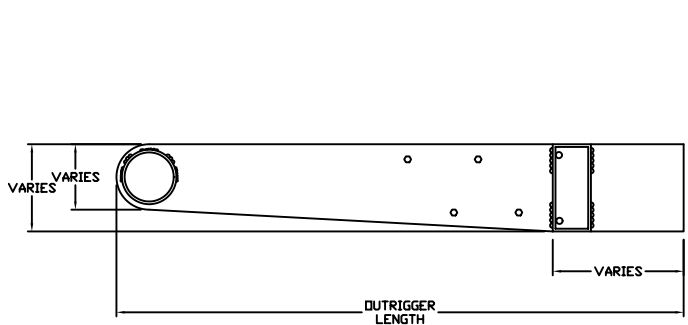
**TAPERED OUTRIGGER WITH  
CIRCULAR TUBE FASCIA**



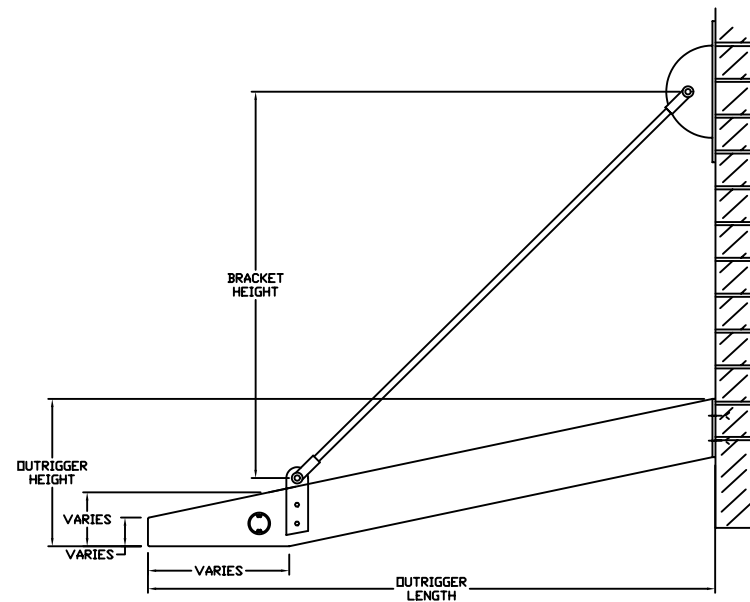
**TUBE FRAME WITH BRACKET  
AND SUSPENSION ROD (OPTIONAL)**



**TAPERED OUTRIGGER WITH  
CLAD FASCIA**



**TAPERED OUTRIGGER WITH  
CIRCULAR TUBE FASCIA**



**ANGLED-TAPERED OUTRIGGER  
WITH SUSPENSION ROD**