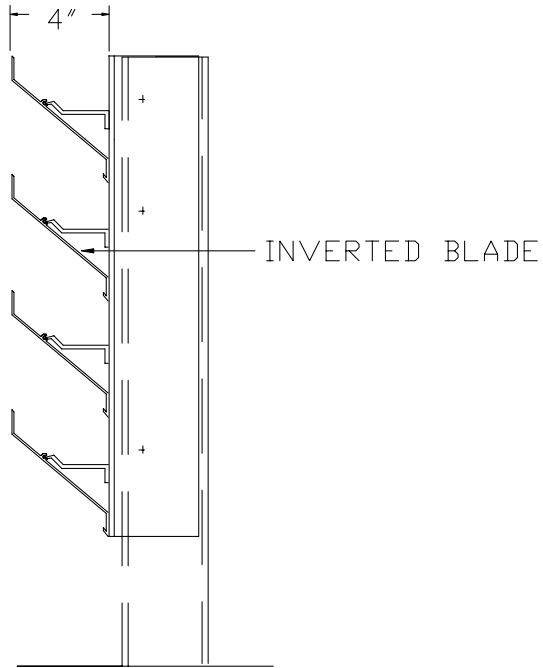
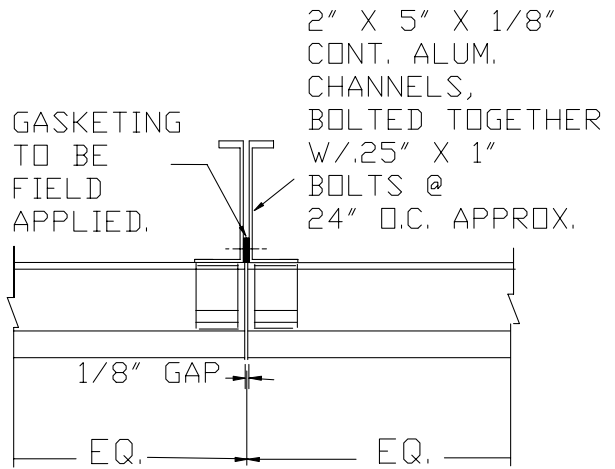


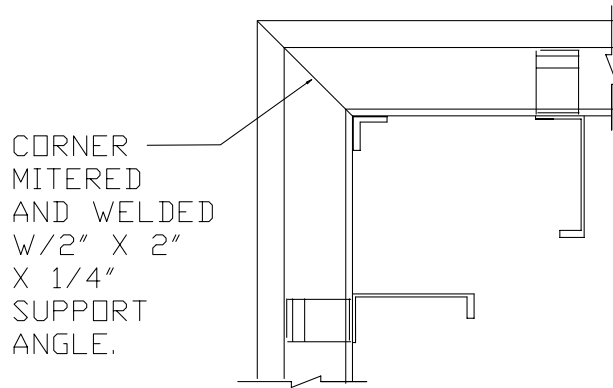
# MODEL 450XPI



**VERTICAL SECTION**



**INVISIBLE MULLION DETAIL**



**TYPICAL MITERED CORNER SECTION**

**ACCESSORIES:**

- FINISH \_\_\_\_\_
- COLOR \_\_\_\_\_
- OTHER \_\_\_\_\_

ITEM NO.	QTY	SIZE		Actual <input type="checkbox"/>	M.O. <input type="checkbox"/>	MULLION TYPE	NO. OF SECTIONS	REMARKS
		WIDTH	HEIGHT					

**PROJECT** \_\_\_\_\_ **REPRESENTATIVE** \_\_\_\_\_

**LOCATION** \_\_\_\_\_ **ILI JOB NO.** \_\_\_\_\_ **REP NO.** \_\_\_\_\_

**ARCH/ENGR.** \_\_\_\_\_

**CONTRACTOR** \_\_\_\_\_

**DATE** \_\_\_\_\_

Industrial Louvers, Inc. Phone: 763-972-2981  
 511 South 7th Street Fax: 763-972-2911  
 Delano, MN 55328

CATALOG NO. 450XPI Rev: JANUARY 2004